



JORDAN SEEDS, Inc.



2017 SEASON PRICE LIST

6400 UPPER AFTON ROAD • WOODBURY, MN 55125 • PHONE 651-738-3422 OR 651-739-9578 • FAX 651-731-7690
VISIT US ONLINE AT: www.jordanseeds.com

PLEASE READ BEFORE ORDERING

- **SIGNATURE REQUIRED** with every order. (Bottom of order form)
- **E-MAIL** - Please give us your E-MAIL address for easier communications. (Top of Order Form)
- **Credit Card holders** (Discover, Visa & Mastercard) are accepted with your complete card number, expiration date, signature, the last three digits on the back side of card, and updated billing address.
- **ORDERS OF LESS THAN \$50.00**, add a \$3.00 charge **in addition** to the shipping cost.
- **FREIGHT:** All Seeds and supplies are shipped F.O.B Woodbury, MN. We will ship best way possible.
- **WATERMELON FRUIT BLOTCH DISEASE** - Watermelon seed will be sent only after a "Waiver of Liability Form" has been signed and returned to JORDAN SEEDS, INC. (Waiver is On Order Form).
- **ORDER ACCEPTANCE CONDITIONS**
All orders, terms and conditions of sales are subject to approval by JORDAN SEEDS, Inc. PRICES ARE SUBJECT TO CHANGE OR WITHDRAWAL WITHOUT NOTICE! In case of either partial or total crop failure, we reserve the right to pro-rate delivery. Orders will be filled on a first come, first serve basis.
- **BACK ORDERED ITEMS** - will be shipped when available, and freight charged, unless cancellation is received prior to shipment.

Hours:	Monday - Friday	8 a.m. to 5:30 p.m.	Open
	Saturday - Jan. thru June	9 a.m. to 2 p.m.	Open
	Sunday & Holidays & 5/29, 8/28, 11/24, 12/26		Closed

- **CALL - 651-738-3422** or **651-739-9578**.
- **FAX - ANYTIME, 651-731-7690** 24 hours a day, 7 days a week.
- **MAIL - JORDAN SEEDS, Inc., 6400 UPPER AFTON ROAD, WOODBURY, MN 55125-1146**
- **E-MAIL - seeds@jordanseeds.com**
- **Maturity Days** may vary. Cabbage, Cauliflower, Eggplant, Peppers and Tomatoes are approximate days from transplanting.
- **TERMS: Payment with order.** Be advised when paying by check you expressly authorize Jordan Seeds, Inc., if check is dishonored or returned for any reason, to electronically debit your account for check amount plus \$25.00.
- **RETURNS** Due to the perishable nature of seeds, **ALL SEED SALES ARE FINAL.** No returns accepted for credit without written authority by JORDAN SEEDS, Inc. ALL RETURNS ARE SUBJECT TO A 15% RESTOCKING CHARGE. No returns will be accepted after 30 days from time of invoice.
- **WARRANTY NOTICE:** JORDAN SEEDS, Inc. warrants that seeds sold have been labeled as required under state and federal seed laws, and that they conform to the label description. No liability hereunder shall be asserted unless the buyer or user reports to the warrantor, within a reasonable period after discovery (not to exceed 30 days), any conditions that might lead to a complaint. OUR LIABILITY ON THIS WARRANTY IS LIMITED TO THE PURCHASE PRICE OF THE SEEDS, THIS WARRANTY IS IN LIEU OF ALL OTHER WARRANTIES, EXPRESS, OR IMPLIED, INCLUDING WARRANTIES OF MERCHANTABILITY AND FITNESS FOR A PARTICULAR PURPOSE. THERE ARE NO WARRANTIES WHICH EXTEND BEYOND THE FACE HEREOF.

These warranties and limitations of liability of JORDAN SEEDS, Inc. may not be altered or amended. By accepting the seeds, the buyer acknowledges that the above limitations and disclaimers are the conditions of the sale and constitute the entire agreement between the parties.

The rules of the American Arbitration Association apply in the event of any dispute with seed. Contact your State Dept. of Ag. for requirements as to filing procedures. A pre-harvest inspection may be required.

- **NEW PRICE LIST TAKES EFFECT DECEMBER 1ST OF EACH YEAR.**

ONION SETS - Will be stocked in season

POTATO ORDERS TAKEN UNTIL MARCH 10TH. AVAILABLE FOR DELIVERY OR PICK UP BETWEEN MARCH 27TH AND APRIL 21ST. DATES MAY VARY DEPENDING ON WEATHER

POTATOES 50 lb bags

RED - Dark Red Norland, Red Pontiac, Viking, Yukon Gold, All Blue. **RUSETS** - Norkotah, Burbank.

WHITE - Kennebec, Cascade, Dakota Pearl.

25% DEPOSIT BY MARCH 10TH. WILL PROCESS CARD BY APRIL 18TH

JORDAN SEEDS WILL CONFIRM PRICES WHEN AVAILABLE.

WEBSITE FOR MORE INFORMATION www.jordanseeds.com

#	QUANTITY	VARIETY	PRICE	AMOUNT
17				
18				
19				
20				
21				
22				
23				
24				
25				
26				
27				
28				
29				
30				
31				
32				
33				
34				
35				
36				
37				
38				
39				
40				
41				
42				
43				
44				
45				
46				
47				
48				
49				
50				
51				
52				
			SUBTOTAL	

CONTENTS:

Terms & Conditions	1
Warranty	1
Map & Key to Abbreviations	2
Asparagus	3
Beans	3, 4
Beets	4
Broccoli.....	4
Brussel Sprouts	4
Cabbage.....	4, 5
Cabbage, Chinese.....	4, 5, 20
Cantaloupe	5
Carrots.....	5, 6
Cauliflower.....	6
Celery	6
Chard, Swiss	6
Collards	6
Corn, Ornamental.....	7
Corn, Popcorn	6
Corn, Sweet.....	7, 8, 9
Cucumber.....	9
Eggplant	9
Endive.....	10
Flower Seed	20, 21
Gourds.....	10
Herbs.....	10, 11
Kale	11, 20
Kohlrabi	11
Leek.....	11
Lettuce.....	11, 12
Mustard.....	12
Okra.....	12
Onion.....	12
Oriental Vegetables	20
Parsley.....	12
Parsnip	13
Peas	13
Pepper.....	13, 14
Pumpkin.....	14, 15
Radish	15, 16
Rhubarb.....	16
Rutabaga.....	16
Spinach.....	16
Squash	16, 17, 18
Tomato.....	18, 19
Turnip	19
Watermelon	19
Self Seal Envelopes, Thrifty Tags.....	21
Soiless Mix.....	22
Fertilizers	22
Seeding Trays & Flats	22
Plastic Containers.....	23
Hoes	23
Drip Irrigation	24
Plastic Mulches & Covers.....	25
Floating Row Covers	26
Rubber Bands.....	26
Berry Containers.....	27
Baskets & Till.....	27
Cartons & Bags	28
Transplanters, Layers, & Seeders.....	29
Order Form.....	FIRST & LAST PAGE
U.P.S. chart.....	INSIDE BACK COVER
Vegetable Planting Guide.....	BACK COVER

Key to Abbreviations

- AAS** = All American Selection Winner
- BRR** = Black Rot Resistant
- BRT** = Black Rot Tolerant
- BST** = Black Leaf Speck Tolerant
- DM** = Downey Mildew Tolerant
- F** = Fusarium Wilt Tolerant
- F1/F2** = Fusarium Will Tolerant to Race 1/Race 2
- G Y** = Gynoecious (all female flowers)
- Hyb.** = Hybrid (the 1st generation of a cross produced by combining 2 or more inbred lines)

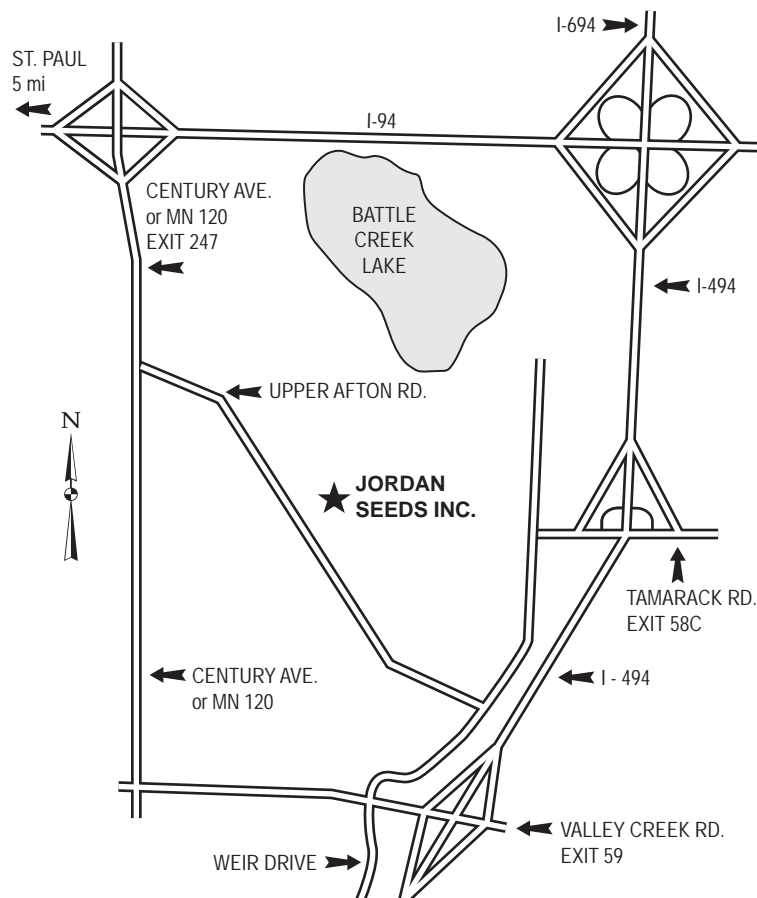
- M** = 1,000 Seeds
- MDMV** = Maize Dwarf Mosaic Virus
- MO** = Monoecious (many male flowers with female flowers)

- N** = Nematodes (root knot)
- PF** = Predominantly Female (many female flowers with male flowers)

- PM** = Powdery Mildew Tolerant
- PM1** = Powdery Mildew Tolerant to Race 1
- Res.** = Resistant (ability of plants to inhibit the effect of a specified pest or condition)

- TBR** = Tip Burn Resistant
- TMV** = Tobacco Mosaic Virus
- Tolerant** = Ability of plants to endure a specified pest or an adverse environmental condition, performing and producing in spite of the disorder

- V** = Verticillium Wilt
- YR** = Yellows Resistant
- CMV** = Cucumber Mosaic Virus



ASPARAGUS

(approx. 800 seeds per oz.)

		DESCRIPTION	1 oz	4 oz	1 lb	@5 lb
Hyb. UC 157 F-2		uniform, dk green spears; out yields O.P.'s	\$3.45	\$8.00	\$22.85	\$22.35
Mary Washington Imp.		med. green, large spear, purple tip, tight tip	\$3.10	\$7.25	\$20.75	\$20.25
UC-72		large lt. green, high yield; F & rust resistant	\$3.00	\$7.00	\$20.00	\$19.50
Sweet Purple		6-9" thick, stringles & tender, 20% more sugar	\$53.50	\$161.75	\$534.65	\$529.65

BEAN, GREEN BUSH

(approx. 1,600 seeds per lb.)

		DESCRIPTION	PRICE PER POUND			
DAYS			1 lb	5 lb	25 lb	50 lb
Bush Blue Lake 274	58	6.5" dk green, good canning & freeze	\$3.25	\$2.75	\$2.45	\$2.25
Contender	50	6" med green, widely adapted	\$2.95	\$2.45	\$2.15	\$1.95
Greencrop	52	7" med green, flat type, widely adapted	\$3.25	\$2.75	\$2.45	\$2.25
Jade	59	7" dark green, excellent flavor, the original	\$4.60	\$4.10	\$3.80	\$3.60
Kentucky Wonder Bush	58	6" dark green, flavorful (Commodore)	\$3.00	\$2.50	\$2.20	\$2.00
Landreth Stringless	52	5.5" med green, stringless, tol. to heat	\$2.95	\$2.45	\$2.15	\$1.95
Provider	52	5.5" med green, high yield, shipper	\$3.10	\$2.60	\$2.30	\$2.10
Roma II	59	5" med green flat, bush romano	\$3.05	\$2.55	\$2.25	\$2.05
Romano Bush #14	56	6" med green, broad, flat, flavorful	\$3.00	\$2.50	\$2.20	\$2.00
Slenderette	55	5" dk gloss gr., yield & quality, no fiber	\$3.30	\$2.80	\$2.50	\$2.30
Spartan Arrow	52	6" med green, good market, good flavor	\$2.95	\$2.45	\$2.15	\$1.95
Strike	55	5.5" med green, slim, very high yield	\$3.05	\$2.55	\$2.25	\$2.05
Tendergreen, Improved	54	6" med dk green, home garden	\$3.00	\$2.50	\$2.20	\$2.00
Topcrop	54	5.5" med green, widely adapted	\$3.05	\$2.55	\$2.25	\$2.05
Purple Queen (Purple)	52	5" purple, green when cooked, exc. flavor	\$3.50	\$3.00	\$2.70	\$2.50
Royal Burgundy (Purple)	52	5" purple, green when cooked, tender	\$3.30	\$2.80	\$2.50	\$2.30

		DESCRIPTION	PRICE PER THOUSAND (M)			
			2M	10M	50M	100M
Bronco	58	5.5" very dk green, high yields	\$3.23	\$2.93	\$2.78	\$2.68
Cabot NEW	55	5.5" md green, straight, exc quality & dis. res.	\$4.01	\$3.71	\$3.56	\$3.46
Giolli	57	med green french filet type, 2-3 sieve	\$3.73	\$3.43	\$3.28	\$3.18
Groble	62	6" very dk green, concentrated set, hi yields	\$3.51	\$3.21	\$3.06	\$2.96
Jade II (PVP)	59	7" darker green then Jade, excellent flavor	\$3.36	\$3.06	\$2.91	\$2.81
Masai (PVP)	55	4" dk green, petite gourmet, upright bush	\$2.91	\$2.61	\$2.46	\$2.36
Sybaris	56	5.6"dp green exc quality, res to rust & mosaic	\$3.61	\$3.31	\$3.16	\$3.06
Tema	54	5.7" med dk green, shiny, straight pods	\$3.51	\$3.21	\$3.06	\$2.96
Valentino	53	5.5" dk green, concentrated set	\$3.43	\$3.13	\$2.98	\$2.88

BEAN, WAX

(approx. 1,600 seeds per lb.)

		DESCRIPTION	PRICE PER POUND			
DAYS			1 lb	5 lb	25 lb	50 lb
Cherokee Wax	52	6" golden yellow pod, bl. seeded	\$3.05	\$2.55	\$2.25	\$2.05
Dragon Tongue	60	7.5" yellow with purple stripes	\$3.45	\$2.95	\$2.65	\$2.45
Pencil Pod Black Wax	58	6" golden yellow pod	\$3.05	\$2.55	\$2.25	\$2.05

		DESCRIPTION	PRICE PER THOUSAND (M)			
			2M	10M	50M	100M
Carson	56	5.5" golden yellow, upright plant	\$3.51	\$3.21	\$3.06	\$2.96
Eureka	56	5.8" early yellow, slim pods, high yield	\$3.48	\$3.18	\$3.03	\$2.93
Goldmine	53	5.3" med yellow, straight & smooth	\$3.53	\$3.23	\$3.08	\$2.98
SV1003GF	56	fancy, excellent quality, bact. brown spot res.	\$3.68	\$3.38	\$3.23	\$3.13

BEAN, POLE

(approx. 960-1,600 seeds per lb.)

		DESCRIPTION	PRICE PER POUND			
DAYS			1 lb	5 lb	25 lb	50 lb
Blue Lake FM-1	62	5.5" dark green stringless, market	\$3.35	\$2.85	\$2.55	\$2.35
Kentucky Blue	60	6.5" med green, round, straight pod, res.	\$7.00	\$6.50	\$6.20	\$6.00
Kentucky Wonder	66	7.5" med green, distinctive flavor	\$3.30	\$2.80	\$2.50	\$2.30

BEAN, LIMA

(approx. 400-960 seeds per lb.)

		DESCRIPTION	PRICE PER POUND			
DAYS			1 lb	5 lb	25 lb	50 lb
Fordhook 242 Bush	75	3.5" large pod, 3-4 seeds per pod, nutty	\$3.50	\$3.00	\$2.70	\$2.50
Henderson's Bush	65	3" small pod, 3-4 seeds per pod, flavor	\$2.75	\$2.25	\$1.95	\$1.75

BEAN, MISC.

	DAYS	DESCRIPTION	PRICE PER POUND			
			1 lb	5 lb	25 lb	50 lb
Black Turtle	95	popular for black bean soup, dis. & heat res.	\$2.75	\$2.25	\$1.95	\$1.75
Castor, Ricinus Annual		6' vines, poisonous seeds control moles	\$20.05	\$19.05	\$18.30	\$17.30
Dark Red Kidney	95	5.5"-6" red pod, baking & soup	\$3.30	\$2.80	\$2.50	\$2.30
Fava - Broad Windsor	85	6-8"long x 1" wide, 2-3" snap bean, 4-7" shell	\$3.80	\$3.30	\$3.00	\$2.80
Great Northern	90	large white, high protein, exc. soup, baking	\$2.80	\$2.30	\$2.00	\$1.80
Navy	88	small white bean, cook without getting mushy	\$3.00	\$2.50	\$2.20	\$2.00
Pinto	90	4.5"-6.5" pod, used in Mexican cooking	\$2.55	\$2.05	\$1.75	\$1.55
Soybean - BeSweet 292	85	Edible, 900# yld, top commercial variety	\$9.75	\$9.25	\$8.75	\$8.25
Taylor Horticultural	68	6" thick,flat,oval,cream & red, use as early snaps	\$3.00	\$2.50	\$2.20	\$2.00
Yard Long (Asp. Bean)	75	15" lt. green pod, asparagus-like flavor, POLE	\$20.45	\$19.95	\$19.65	\$19.15

BEETS

(approx. 1,500 seeds per oz.)

	DAYS	DESCRIPTION	PRICE PER THOUSAND (M)					
			1 oz	4 oz	8 oz	1 lb	@5 lb	
Bull's Blood	60	heirloom, dp red, great baby greens	\$2.05	\$5.70	\$8.75	\$14.60	\$13.60	
Burpee's Golden	55	bright golden , no bleeding, flavor	\$5.35	\$14.85	\$23.30	\$42.40	\$41.40	
Chioggia	60	heirloom, red & white rings, mild	\$2.05	\$5.70	\$8.80	\$14.65	\$13.65	
White Albino	50	gourmet white , vry sweet w/o stain	\$6.35	\$17.65	\$27.75	\$50.45	\$49.45	
Cylindra Long Red	60	6" long, dark red; rich green top		\$3.90	\$5.90	\$9.10	\$8.85	
Detroit Dark Red	58	full globe, deep red; dark green top 12-15"		\$3.40	\$5.15	\$7.90	\$7.65	
Early Wonder Tall Top	55	flattened globe, dark red; bunching,15-18"		\$3.30	\$5.00	\$7.70	\$7.45	
Ruby Queen	55	round, bright red; med 12-14" green top		\$3.40	\$5.15	\$7.90	\$7.65	
Sugar Beet	100	3-5 lbs 1'long, 1-2' top, popular for deer		\$10.50	\$16.15	\$26.90	\$25.90	
				PRICE PER THOUSAND (M)	5M	15M	45M	90M
Hyb. Merlin NEW	55	sweet, smooth, dk red, bolt & disease resistant		\$1.22	\$1.10	\$1.02	\$0.98	
Hyb. Red Ace	50	smooth,dp red, bolt resistant, drought tolerant		\$1.22	\$1.10	\$1.02	\$0.98	

BROCCOLI, HYB.

(approx. 9,000 seeds per oz.)

	DAYS	DESCRIPTION	PRICE PER THOUSAND (M)				
			1M	10M	50M	100M	
Arcadia	83	High Dome, sm. beads, widely adaptable	\$7.60	\$7.12	\$6.37	\$6.12	
Castle Dome	75	dp dome, sm. tight beads, heat & cold tolerant	\$7.80	\$7.32	\$6.57	\$6.32	
Gypsy	70	med green, smooth dome, downy mildew res.	\$7.50	\$7.00	\$6.25	\$6.00	
Ironman (CMS)	72	dp solid dome, hi quality, uniform, warm season	\$7.95	\$7.43	\$6.68	\$6.43	
Legacy	75	hi dome, fine firm beads, cold vigor, cool season	\$6.10	\$5.59	\$4.84	\$4.59	
Liberty (CMS)	65	Lg tight dk green dome, holds well, very uniform	\$6.90	\$6.40	\$5.65	\$5.40	
Lieutenant	75	Dk green fine bead, slender stem, good in heat	\$8.00	\$7.50	\$6.75	\$6.50	
Marathon NEW	83	heavy hi dome,small beads, blue-green, uniform	\$6.85	\$6.35	\$5.60	\$5.35	
				1 oz	4 oz	1 lb	@5 lb
Gr.Sprout. Calabrese (O.P.)	mid	Dark green, fine beads, good sideshoots		\$1.75	\$4.15	\$9.65	\$8.65
Waltham No.29 (O.P.)	mid	Med-large, round head, fine beads		\$1.75	\$4.15	\$9.65	\$8.65
Broc. Raab - Sorrento NEW	40	blue-green, 3-4"wide, 30" tall upright, bunch		\$7.50	\$18.05	\$42.10	\$41.10

BRUSSEL SPROUT

(approx. 8,000 seeds per oz.)

	DAYS	DESCRIPTION	PRICE PER THOUSAND (M)				
			1M	5M	10M	20M	
Hyb. Capitola	115	known for great sprout quality, 38" tall	\$18.50	\$17.97	\$17.72	\$17.22	
Hyb. Gustus	100	smooth dark green, Oliver replacement	\$18.75	\$18.25	\$18.00	\$17.50	
Hyb. Jade Cross AAS	90	dark green, oval sprouts, good standing	\$7.35	\$6.85	\$6.60	\$6.10	
				1/4 oz	1 oz	4 oz	1/2 lb
Long Island Improved	98	Med green, good set, 24" plant		\$1.40	\$3.80	\$9.10	\$14.00

CABBAGE

(approx. 17,000 seeds per oz.)

	DAYS	DESCRIPTION	PRICE PER THOUSAND (M)			
			1 oz	4 oz	1/2 lb	1 lb
Copenhagen Market	68	6-7" globe, green, solid, uniform	\$2.50	\$5.05	\$7.75	\$11.25
Danish Ballhead	100	7-8" globe, blue-green, solid, short stem	\$2.75	\$5.50	\$8.50	\$12.30
Early Jersey Wakefield YR	62	5-6" conical, dark green, short stem; YR	\$2.50	\$5.05	\$7.75	\$11.25
Golden Acre YR	67	6-7" globe, short stem, uniform; YR	\$2.50	\$5.05	\$7.75	\$11.25
Late Premium Flat Dutch	100	11-13" flat, solid, good for kraut	\$2.60	\$5.15	\$7.90	\$11.45
Red Acre (RED)	80	3 lb, round, popular red variety	\$2.85	\$5.65	\$8.65	\$12.55
Savoy Perfection	90	6"flat dark green head, heavily crumpled	\$5.75	\$11.45	\$17.60	\$25.50
Michihili, Ch. Cabbage	65	18x4" cylindrical, dk green foliage	\$1.25	\$3.20	\$4.90	\$7.50

CABBAGE, CHINESE

(approx. 17,000 seeds per oz.)

	DAYS	DESCRIPTION	PRICE PER THOUSAND (M)			
			1 M	10M	50M	100M
Hyb. Blues	57	4-5 lbs Napa, slow bolting, exc. disease resistant	\$3.45	\$2.95	\$2.20	\$1.95
Hyb. Green Rocket	65	14x5" cylindrical, good shelf life, 4.5# head	\$3.20	\$2.68	\$1.93	\$1.68
Hyb. Jazz	63	5-6 lbs, slow bolt, yellow interior	\$3.45	\$2.94	\$2.19	\$1.94

CABBAGE, HYB.

(approx. 8,500 seeds per oz.)

	DAYS	DESCRIPTION	PRICE PER THOUSAND (M)			
			1 M	10M	50M	100M
Blue Dynasty	75	5# bl-green, round to semi round, holds well	\$5.90	\$5.38	\$4.63	\$4.38
Cheers	75	5-6# round uniform, large wrapper leaves	\$5.40	\$4.91	\$4.16	\$3.91
Dynamo AAS	70	2.5# blue-green, holds well, YR	\$3.55	\$3.05	\$2.30	\$2.05
Green Boy NEW	80	7" large round, green, BST, BRT, YR	\$5.65	\$5.16	\$4.41	\$4.16
Huron	112	10-15# long storage, med core, hi quality, YR	\$11.10	\$10.57	\$9.82	\$9.57
Pennant	88	8# round blue-green head, exc. flavor & quality	\$5.15	\$4.65	\$3.89	\$3.64
Platinum Dynasty (CMS)	68	med-lg, round bl-green, black rot & tipburn res	\$5.90	\$5.38	\$4.63	\$4.38
Red Dynasty (RED)	70	3.5-5" round, very attractive RED	\$8.55	\$8.04	\$7.29	\$7.04
Ruby Ball Imp. (RED)	65	6" compact globe, nice bright PURPLE	\$7.40	\$6.88	\$6.13	\$5.88
Ruby Perfection (RED)	80	6" round, deep RED, very solid, BRT	\$7.40	\$6.88	\$6.13	\$5.88
Savoy Ace Imp. AAS	73	3-4#, holds well, tender & sweet	\$7.95	\$7.43	\$6.68	\$6.43
Stonehead	78	5-6" rd, blue-green, short core; BRT,YR	\$6.05	\$5.54	\$4.79	\$4.54

CANTALOUPE, HYB.

(approx. 1,200 seeds per oz.)

	DAYS	DESCRIPTION	PRICE PER THOUSAND (M)			
			500	1M	5M	15M
Aphrodite	75	6-8#, earlier & larger Athena, imp. net PM-1,2	\$40.20	\$69.30	\$66.82	\$64.32
Athena	82	6# med net, firm & swt, F-0,1,2: PM-1&2	\$40.20	\$69.30	\$66.82	\$64.32
Earli-Dew (Honeydew)	75	5.5x5" no net, lime green, F1; 3#; F2	\$36.45	\$62.85	\$60.34	\$57.84
Goddess	68	3-5#, 1st early, full disease package	\$30.90	\$53.30	\$50.78	\$48.28
Goldstar	86	3-5# course net, deep sutures, salmon flesh	\$40.05	\$69.00	\$66.50	\$64.00
Gourmet (Specialty)	75	3-4# very high sugar, white flesh , PMR	\$37.80	\$65.15	\$62.64	\$60.14
Halona	70	7x6" disease resistant Earliqueen PMR 1&2	\$21.80	\$37.60	\$35.10	\$32.60
Honeycomb (Honeydew)	78	5.5# super flavor, creamy wh flesh PMR, F-0,2	\$30.00	\$51.70	\$49.19	\$46.69
Infinite Gold (LSL) NEW	85	oval, long shelf life , high sugar, great flavor	\$59.40	\$102.40	\$99.90	\$97.40
Minerva	77	7# Athena type, but larger, coarser net, PM & F	\$35.20	\$60.65	\$58.14	\$55.64
Rockstar	73	5-7# sl suture, med net, great holding, PM & F	\$30.80	\$53.05	\$50.57	\$48.07
Shockwave (LSL) NEW	85	4-6# long shelf life , very sweet, easy pick	\$41.55	\$71.65	\$69.15	\$66.65
Solstice	76	7-9# dp suture, hvy net, quality hi yld, PM,F res	\$29.45	\$50.80	\$48.28	\$45.78
Strike	85	6-8# no suture, coarse net, PMR, FWRO 1&2	\$33.50	\$57.75	\$55.23	\$52.73
Sugar Cube	69	2# hi sugar, exc quality, most disease res.	\$31.80	\$54.85	\$52.34	\$49.84
Superstar	82	6+# deep sutures, coarse net, lg / x large F2	\$33.60	\$57.90	\$55.42	\$52.92
Verona	75	6-10# better quality Vienna, res PM & FO 1&2	\$29.45	\$50.80	\$48.28	\$45.78

CANTALOUPE

	DAYS	DESCRIPTION	PRICE PER THOUSAND (M)			
			1 oz	4 oz	8 oz	1 lb
Crenshaw	110	8x6.5" rough rind, salmon flesh tasty; 6-10#	\$4.00	\$10.00	\$15.40	\$25.25
Hales Best Jumbo	86	7.5x6" heavy net & ribs, drought res.; 5#	\$1.80	\$4.50	\$6.95	\$11.00
Honey Dew Green Flesh	105	7-8x7" green flesh, smooth, ivory skin; 6#	\$2.35	\$5.80	\$8.95	\$14.20
Honey Rock	84	5.5" globe, light rib-course net, salmon flesh; F	\$2.10	\$5.25	\$8.00	\$12.75
Iroquois	85	7x6" coarse/sparse net & ribs; 5#; F	\$1.60	\$3.90	\$6.00	\$9.55
Minnesota Midget	75	3.5" globe, deep lobed, fusarium res.	\$3.85	\$9.60	\$14.80	\$23.45

CARROT

(approx. 15,000 seeds per oz.)

	DAYS	DESCRIPTION	PRICE PER THOUSAND (M)			
			10M	60M	125M	250M
Hyb. Esperanza	60	6-8" Nantes sweet, blunt tip, Nebula type	\$0.81	\$0.72	\$0.62	\$0.49
Forto (Nantes Type)	62	8" smooth, cylindrical, good storing	\$0.20	\$0.16	\$0.14	\$0.11

FOR PICTURES & MORE INFORMATION GO TO www.jordanseeds.com

CARROT

(approx. 15,000 seeds per oz.)

		DAYS	DESCRIPTION	1 oz	4 oz	1/2 lb	1 lb	@5 lb
Atomic Red	(RED)	64	high in lipocene, intense red-cooked	\$12.40	\$35.40	\$60.70	\$101.20	\$100.20
Cosmic Purple	(PURPLE)	62	8.5"x1.5" yellow flesh, very sweet	\$12.40	\$35.40	\$60.70	\$101.20	\$100.20
Lunar White	(WHITE)	60	6-8"nearly coreless, fine flavor	\$12.40	\$35.40	\$60.70	\$101.20	\$100.20
Solar Yellow	(YELLOW)	63	6-7" crisp,yellow sweet & juicy	\$12.40	\$35.40	\$60.70	\$101.20	\$100.20
Rainbow Blend	(MIXED)	60-65	mix of all colors in a beautiful blend	\$9.90	\$28.20	\$48.30	\$80.50	\$79.50
Chantenay		75	6.5x2.5" uniform, stumped root, tall top		\$6.50	\$10.00	\$15.35	\$15.10
Danvers 126		75	7x2.5" red-orange, large & strong top		\$6.55	\$10.05	\$15.50	\$15.25
Imperator 58		73	9.5x1.5" deep orange, taper to point, tall top		\$8.35	\$12.85	\$19.75	\$19.50
Little Finger		60	3-4", sweet with small core		\$8.95	\$13.75	\$21.15	\$20.90
Nantes Scarlet		68	6.5x1.25" orange-red, small core, med.top		\$6.50	\$10.00	\$15.35	\$15.10
Tendersweet		75	7-9"tapered rich orange, vry sweet & coreless		\$8.20	\$12.60	\$19.35	\$19.10

CAULIFLOWER

(approx. 10,000 seeds per oz.)

		DAYS	DESCRIPTION	PRICE PER THOUSAND (M)				
				500	1 M	10M	50M	100M
Hyb. Cheddar	(orange)	80	7" light orange, holds , betacarotene	\$35.00	\$62.55	\$61.05	\$59.55	\$58.55
Hyb. Graffiti	(purple)	80	med, brilliant purple, true strain	\$33.65	\$60.10	\$58.58	\$57.08	\$56.08
Hyb Veronica	NEW	78	ROMANESCO green spiral, flavor	\$49.90	\$89.15	\$87.64	\$86.14	\$85.14
Hyb. Vitaverde	(green)	71	large heavy green on large plants	\$18.40	\$32.80	\$31.31	\$29.81	\$28.81
Hyb. Candid Charm		65	Large, deep dome, exc. protection		\$12.30	\$11.80	\$11.05	\$10.80
Hyb. Freedom (CMS)		70	Fremont type, no offtypes, more uniform, A+		\$30.85	\$29.35	\$27.85	\$26.85
Hyb. Minuteman		65	8" heat tolerant, bright white		\$14.35	\$13.85	\$13.10	\$12.85
Hyb. Snow Crown	AAS	55	7" semi-dome, tolerant to heat and cold		\$10.65	\$10.15	\$9.40	\$9.15
					1 oz	4 oz	8 oz	1 lb
Snowball Self-Blanching		65	7" smooth head, self-wrap in cool weather		\$4.35	\$10.90	\$17.70	\$27.25
Snowball Y Improved		68	Large, smooth dome, good texture		\$4.45	\$11.10	\$18.05	\$27.80

CELERY

(approx. 60,000 seeds per oz.)

		DAYS	DESCRIPTION	1/2 oz	1 oz	4 oz	1/2 lb
Golden Self Blanching		80	fresh market. quality self bl, yel. 6" rib length	\$6.05	\$8.90	\$22.30	\$34.30
Tall Utah 52-70		120	cylindrical, med green 22" plant, 10" rib length	\$2.95	\$4.35	\$10.85	\$16.70

CHARD, SWISS

(approx. 1,500 seeds per oz.)

		DAYS	DESCRIPTION	4 oz	1/2 lb	1 lb	@5 lb
Calico Mix		55	mix of green, white, red, gold, magenta	\$8.45	\$12.95	\$21.60	\$20.60
Fordhook Giant		55	White stem, dk green, heavy crumpled	\$2.90	\$4.15	\$6.40	\$5.90
Northern Lights Mix		55	Nice mix of colors	\$6.55	\$10.05	\$16.75	\$15.75
Rainbow Mix		55	Red, Pink, Yellow, Orange Green, nice mix	\$8.25	\$12.70	\$21.15	\$20.15
Rhubarb or Red		55	CRIMSON stalks, heavily crumpled gr. leaves	\$3.75	\$5.35	\$8.20	\$7.70

COLLARDS

(approx. 8,000 seeds per oz.)

		DAYS	DESCRIPTION	4 oz	1/2 lb	1 lb	@5 lb
Georgia		80	larger blue green leaves, very popular	\$3.10	\$4.80	\$7.40	\$7.15
Vates		75	30" tall, large, dark green leaf, vigor	\$3.45	\$5.35	\$8.25	\$8.00
				PRICE PER THOUSAND (M)			
				1 M	10M	50M	100M
Hyb. Hi-Crop		67	16-18"large, savoy,tasty non bitter, slow bolting	\$4.25	\$3.77	\$3.02	\$2.77

POPCORN

(approx. 3,500 seeds per lb.)

		DAYS	EAR SZ.	DESCRIPTION	PRICE PER POUND			
					1 lb	5 lb	25 lb	50 lb
Japanese White Hulless		105	5"	the standard in white hulless	\$4.40	\$3.90	\$3.65	\$3.45
South American Yellow		110	7.5"	late, yellow, open-pollinated	\$4.25	\$3.75	\$3.50	\$3.30
				PRICE PER THOUSAND (M)				
					3 M	15M	50M	100M
Hyb. Robust 128 YH (yellow)		105	7.5"	yellow,vigor,high yield, pops large	\$2.80	\$2.55	\$2.41	\$2.35
Hyb. Robust 98114 (white)		105	6"+	hulless, larger ear, exc. eating	\$3.18	\$2.93	\$2.79	\$2.73
Hyb. Ruby Red (red)		105	5"	deep red; large & high yields	\$5.31	\$5.06	\$4.92	\$4.86

ORNAMENTAL CORN

	DAYS	EAR SZ.	DESCRIPTION	4 oz	8 oz	1 lb	@5 lb
Black Aztec	90	7"	black dent, ground for corn meal	\$8.20	\$12.55	\$19.35	\$18.85
Bloody Butcher - Dent	105	10-12"	dent, deep blood red, also for flour	\$6.05	\$9.35	\$14.35	\$13.85
Broom Corn - Regular	105	no ear	true source for "Straw Brooms"	\$7.50	\$11.50	\$17.70	\$17.20
Broom Corn - Red	105	no ear	red seed head instead of brown	\$8.15	\$12.55	\$19.35	\$18.85
Broom Corn - Mixed	105	no ear	red, dark brown, black, purple, gold	\$8.15	\$12.55	\$19.35	\$18.85
Calico Popcorn	105	5-8"	popped or very ornamental	\$5.70	\$8.80	\$13.50	\$13.00
Carousel (mini popcorn)	105	4"	exc. colors, 2-4 ears per stalk	\$5.05	\$7.80	\$11.95	\$11.45
Laser (mini popcorn)	95	4.5-6"	pointed kernels w/ calico stripes	\$10.25	\$15.75	\$24.25	\$23.75
Mini Blue - Popcorn	108	2-4"	blue, very different, decorative	\$11.15	\$17.15	\$26.40	\$25.90
Neon Pink	110	3-4.5"	bright pink to dark pink kernels	\$7.00	\$10.80	\$16.60	\$16.10
Oxacana Green	95	8-9"	shades of GREEN, large ear type	\$8.55	\$13.10	\$20.15	\$19.65
Shades Of Brown (popcorn)	105	4.5-5.5"	mini, mixture of all browns	\$6.75	\$10.35	\$15.90	\$15.40
Sorghum - Black Amber	105	no ear	shiny dark black, seed is amber	\$8.15	\$12.55	\$19.35	\$18.85
Sorghum - Colored Uprights	105	no ear	compact seed head, gd. for floral	\$8.15	\$12.55	\$19.35	\$18.85
Sorghum - White Popping	105	no ear	loose sd head, white, nutty flavor	\$9.60	\$14.75	\$22.65	\$22.15
Spectrum - Red Husk	105	4.5"	Spectrum with high % of red husk	\$7.00	\$10.80	\$16.60	\$16.10
			PRICE PER POUND	1 lb	5 lb	25 lb	50 lb
Hyb. Fiesta	100	8-10"	50-70% purple husks, early	\$9.75	\$9.35	\$9.10	\$8.90
Autumn Explosion	102	8-9"	25% purple, imp color & standing	\$12.55	\$12.05	\$11.80	\$11.60
Big Boy NEW	112	10-13"	very large ears, bright rainbow	\$15.30	\$14.80	\$14.55	\$14.35
Blue, Hopi	110	8-10"	orig. Blue from Hopi Indians	\$18.30	\$17.80	\$17.55	\$17.35
Earth Tones	100	8-10"	soft, muted colors, not shiny	\$12.95	\$12.45	\$12.20	\$12.00
Longbow	110	12"+	very long, prolific & colorful	\$17.20	\$16.70	\$16.45	\$16.25
Ornamental Indian Flint	110	9-10"	bright, beautiful colors	\$4.35	\$3.85	\$3.60	\$3.40
Red Strawberry Popcorn	105	2"	deep red strawberry shape	\$11.60	\$11.10	\$10.85	\$10.65

SWEET CORN INFORMATION

Su = Standard Sugary; 8-18% sugar content (All sweet corns that are unmarked are the standards)

H.S.E. = Heterozygous Sugary Enhancer (isolation desirable); 20-30% sugar content; tender

S.E. = Homozygous Sugary Enhancer (isolation desirable); 30-35% sugar content; tender

TSW = Enhanced S.E. (Homozygous Sugary Enhancer), (isolation desirable); 30-40% sugar content, tender

S.E.xSh2 = Synergistic (needs isolation from Sh2 & needs warm soil temp.); 35-40% sugar content

Sh2 = Shrunken (needs isolation & warm soil temp.); 40-45% sugar content; crisp; high seed counts

AuSh2 = Augmented Sh2 (needs isolation & warm soil temp.); 40-50% sugar; very tender, hold well in field

Sh2 SL = Improved Sh2 Super Lite (needs isolation & warm soil temp.); 45-50% sugar content; high seed counts

ATTRIBUTE VARIETIES - Insect Resistance - European Cornborer & Corn Earworm

		DAYS	EAR SZ.	ROW	HGT.	DESCRIPTION	<u>25M bags only</u>
GH0851	(S.E.xSh2)	80	8x1.8"	16	6.5'	yellow BT Honey Select, gd husk prot. & dis.pkg.	\$258.25
BC 0805	(S.E.xSh2)	82	8x2"	16-18	6.5'	bicolor , BT Providence, good husk & tip fill	\$274.50

IMPORTANT - When buying **ATTRIBUTE** varieties JORDAN SEEDS, INC must have the waiver of acceptance before seed can be released. Contact us for waiver.

PERFORMANCE SERIES - Insect Control for Fall Armyworm, Corn Earworm, European Corn-Southwestern Corn - Sugar Cane - Southern Cornstalk & Common Stalk Borer, Western Corn & Northern Corn Rootworm Larvae. Also tolerant to **ROUNDUP WEATHER MAX & ROUNDUP POWER MAX.**

PERFORMANCE SERIES - Advanced Insect Resistance & Roundup Ready

		DAYS	EAR SZ.	ROW	HGT.	DESCRIPTION	<u>PONCHO</u>	<u>TREATED</u>
							2.5M pouch	25M bags
Anthem II	(AuSh2)	73	8.25x1.8"	16-20	6'	bicolor *	\$50.00	\$377.50
Obsession II	(AuSh2)	79	8.5"	16-20	6.5'	bicolor		\$384.25
Passion II	(AuSh2)	81	8x1.7"	18-20	6.5'	yellow		\$376.75
SV9010SA	(AuSh2)	81	8x1.9"	18-20	6.5'	bicolor *	\$50.00	\$390.00
SV9014SB	(S.E.xSh2)	78	7.8x1.9"	18-20	5.5'	bicolor		\$345.25
Temptation II	(S.E.)	70	7.7x1.7"	14-16	6.5'	bicolor		\$335.75

PERFORMANCE SERIES can only be shipped upon receiving your TECHNOLOGY LICENSE number.

More Information on insect resistance corn, Please see our Web page. www.jordanseeds.com

SWEET CORN, YELLOW, HYB. (approx. 2,000 - 4,000 seeds per lb.) **PRICE PER POUND**

		DAYS	EAR SZ.	ROW	HGT.	DESCRIPTION	1 lb	5 lb	25 lb	50 lb
Bodacious	RM (S.E.)	74	8x1.8"	18	7'	res.to rust - MDMV	\$12.00	\$11.50	\$11.25	\$11.05
Honey Select	(S.E.xSh2)	78	8.5x2"	18-20	8'	flags,SE w/hi sugar	\$14.25	\$13.75	\$13.50	\$13.30
Incredible	RM (S.E.)	84	9.5x2"	18	7'	resists lodging	\$11.95	\$11.45	\$11.20	\$11.00
Jubilee		81	8.5x2"	16-18	6.5'	high yields, #1	\$11.10	\$10.60	\$10.35	\$10.15
Kandy Korn	(H.S.E.)	89	8.5"	14-16	8'	attractive red husk	\$11.30	\$10.80	\$10.55	\$10.35
NK 199		81	8x2.2"	18-20	8'	widely adapted	\$7.10	\$6.60	\$6.35	\$6.15
Sugar Buns	(S.E.)	65	7.5x1.7"	14	5.5'	outstanding quality	\$13.45	\$12.95	\$12.70	\$12.50
Sweetie 82	(Sh2 SL)	82	8.5x1.8"	16-18	6.5'	rust res., super lite	\$13.20	\$12.70	\$12.45	\$12.25

PRICE PER THOUSAND (M) **3M** **15M** **50M** **100M**

		DAYS	EAR SZ.	ROW	HGT.	DESCRIPTION	3M	15M	50M	100M
Illini Xtra Sweet	(Sh2)	85	8.5x2"	14-16	7'	original Xtra Sweet	\$6.29	\$6.04	\$5.90	\$5.84
Northern X-tra Sweet	(Sh2)	67	8.5"	14-16	6'	exc. flavor & look	\$7.89	\$7.64	\$7.50	\$7.44
Spring Treat	(S.E.)	65	8.5"	12	5.5'	exc. early, clean, A+	\$6.25	\$6.00	\$5.86	\$5.80
Xtra Tender 1273	(AuSh2)	73	8"	16-18	6.5'	exc vigor, yel. 277	\$9.48	\$9.23	\$9.09	\$9.03

SWEET CORN, WHITE, HYB. (approx. 2,000 - 4,000 seeds per lb.) **PRICE PER POUND**

		DAYS	EAR SZ.	ROW	HGT.	DESCRIPTION	1 lb	5 lb	25 lb	50 lb
Argent (Wh. Incredible)	(S.E.)	84	8.5x2"	16	6.5"	tol Stewart, gd vigor	\$12.25	\$11.75	\$11.50	\$11.30
Avalon	(S.E.xSh2)	82	8x1.85"	16-18	7'	white Providence	\$14.75	\$14.25	\$14.00	\$13.80
Silver King	(S.E.)	82	8x2"	16-18	6.5'	tol rust , STW,NCLB	\$13.05	\$12.55	\$12.30	\$12.10
Silver Queen		89	8.5x1.8"	14-16	8'	favorite standard	\$10.85	\$10.35	\$10.10	\$9.90

PRICE PER THOUSAND (M) **3M** **15M** **50M** **100M**

SV 1580	(Sh2)	79	8x1.9"	16-18	6.5	gd tip fill. easy pick,	\$9.05	\$8.80	\$8.66	\$8.60
---------	-------	----	--------	-------	-----	-------------------------	--------	--------	--------	--------

SWEET CORN, BI-COLOR, HYB. (approx. 2,000 - 4,000 seeds per lb.) **PRICE PER THOUSAND (M)**

		DAYS	EAR SZ.	ROW	HGT.	DESCRIPTION	3M	15M	50M	100M
Allure	(S.E.xSh2)	75	8"x1.75"	16	7'	top quality large ears	\$7.47	\$7.22	\$7.08	\$7.02
Anthem XR (2302)	(AuSh2)	73	8.25x1.8"	16-20	6'	great rust res,gd tipl	\$10.51	\$10.26	\$10.12	\$10.06
Bon Appetit	(TSW)	68	7.75"	16-18	7'	excellent package	\$7.43	\$7.18	\$7.04	\$6.98
Brocade	(TSW)	83	8.5"	16-18	6.5'	great flavor, easy snap	\$6.07	\$5.82	\$5.68	\$5.62
CuppaJoe	(S.E.xSh2)	73	8.5"x1.75"	14-16	7'	outstanding cold vigor	\$7.33	\$7.08	\$6.94	\$6.88
EX08767143	(AuSh2)	79	8.5"	16-20	6.5'	rust res Obsession	\$9.00	\$8.75	\$8.61	\$8.55
Honey N Pearl- AAS	(Sh2)	76	9x2"	18	7'	excellent quality	\$7.35	\$7.10	\$6.96	\$6.90
Kristine	(S.E.xSh2)	80	8.5x1.9"	16-18	6'	vigor, tip fill,husk cover	\$7.05	\$6.80	\$6.66	\$6.60
Lancelot	(S.E.)	82	9"	16-18	6.5'	exc.tender,easy snap	\$5.82	\$5.57	\$5.43	\$5.37
Luscious	(TSW)	73	8"	16-18	6.2'	exc. package & taste	\$5.35	\$5.10	\$4.96	\$4.90
Montauk	(S.E.xSh2)	80	8"	16-20	7'	qualty,one of the best	\$10.63	\$10.38	\$10.24	\$10.18
Native Gem	(S.E.)	64	8x1.75"	14	5.5'	Bi color Sugar Buns	\$7.43	\$7.18	\$7.04	\$6.98
Nirvana NEW	(AuSh2)	76	8x1.8"	16-18	7'	vigor,tip fill, hi yield	\$8.78	\$8.53	\$8.39	\$8.33
Obsession	(AuSh2)	79	8.5"	16-20	6.5'	more tender, gd tip fill	\$8.69	\$8.44	\$8.30	\$8.24
Precious Gem	(S.E.)	78	9x2"	18	7'	easy snap, clean plant	\$6.31	\$6.06	\$5.92	\$5.86
7112R (Summer Sweet)		75	8"	16-18	7'	AuSh2 dk gr,nice flags	\$7.78	\$7.53	\$7.39	\$7.33
7602 (Summer Sweet)		78	8.5"	18-20	7'	AuSh2,rust & dis res	\$7.85	\$7.60	\$7.45	\$7.40
Snack Pack NEW	(Sh2)	78	8-8.5"	18	6.5'	dk gr,gd husk & flags	\$8.46	\$8.21	\$8.07	\$8.01
Sweetness NEW	(S.E.xSh2)	68	8x1.8"	16	6'	exc emerge & vigor	\$6.89	\$6.64	\$6.50	\$6.44
Temptation	(S.E.)	70	7.7x1.7"	14-16	6.5'	tender & sweet, vigor	\$6.95	\$6.70	\$6.56	\$6.50
XTH20173 NEW	(AuSh2)	73	7-8x1.8"	14-18	6'	replacement for 277	\$9.94	\$9.69	\$9.55	\$9.49
Xtra Tender 2171	(AuSh2)	71	7-8"	16	5.5'	early vigor,tight husk	\$9.22	\$8.97	\$8.83	\$8.77
Xtra Tender 2573	(AuSh2)	73	8x1.9"	16-18	6.5'	one of the best,holds	\$9.94	\$9.69	\$9.55	\$9.49
Xtra Tender 274	(AuSh2)	74	8"	16-18	5.5'	exc. package, eating	\$9.47	\$9.22	\$9.08	\$9.02

MOST CORNS TREATED WITH CRUISER

FOR PICTURES & MORE INFORMATION GO TO www.jordanseeds.com

SWEET CORN, BI-COLOR, HYB.

(approx. 2,000 - 4,000 seeds per lb.)

		DAYS	EAR	SZ.	ROW	HGT.	DESCRIPTION	PRICE PER POUND			
								1 lb	5 lb	25 lb	50 lb
Ambrosia	(S.E.)	74	8x2"	16	6.5'	bi-color Bodacious	\$12.55	\$12.05	\$11.80	\$11.60	
Delectable RM	(S.E.)	80	9x2.1"	18	7'	Bi - Incredible, large	\$12.50	\$12.00	\$11.75	\$11.55	
Honey & Cream		83	7x1.7"	12-14	7'	a favorite bi-color	\$9.75	\$9.25	\$9.00	\$8.80	
Jackpot	(S.E.)	82	8.5x1.9"	16-18	6'	exc. packag rust res	\$12.65	\$12.15	\$11.90	\$11.70	
Peaches & Cream	(H.S.E.)	83	8x1.8"	16-18	6.5'	popular, deep kernel	\$10.65	\$10.15	\$9.90	\$9.70	
Providence	(S.E.xSh2)	82	8"x1.85"	16-18	7'	rust res Serindipity	\$14.80	\$14.30	\$14.05	\$13.85	
Serindipity	(SExSh2)	82	8"x1.85"	16-18	6.5'	Triplesweet exc.	\$13.90	\$13.40	\$13.15	\$12.95	
Trinity	(S.E.)	63	8x1.8"	14	6'	imp Athos, refined	\$12.55	\$12.05	\$11.80	\$11.60	

CUCUMBER, Open Pol.

(approx. 1,000 seeds per oz.)

		DAYS	DESCRIPTION	PRICE PER THOUSAND (M)			
				1 oz	4 oz	1/2 lb	1 lb
Bush Crop		55	7.5" med green, shorter vines, space saving (MO)	\$8.55	\$24.35	\$40.60	\$70.00
Lemon		65	3x2.25" lt. yellow, white flesh, easy to digest	\$3.10	\$7.80	\$12.00	\$20.00
Marketmore 76		68	9x2" very dark green, disease res. (MO)	\$2.20	\$5.50	\$8.45	\$14.10
Spacemaster 80 Bush		56	8x2" space saving vines, adaptable (MO)	\$2.85	\$7.10	\$10.90	\$18.20
Straight Eight AAS		65	8x2.5" dark green, standard (MO)	\$1.95	\$4.80	\$7.40	\$12.35
White Wonder		60	8x2.5" ivory white, crisp, firm, mild, exc. eating	\$2.85	\$7.10	\$10.90	\$18.20

CUCUMBER, SLICING, HYB.

(approx. 1,000 seeds per oz.)

		DAYS	DESCRIPTION	PRICE PER THOUSAND (M)					
				250	500	1M	5M	10M	15M
Sweet Success NEW		58	14x2.5" bitter free, (GY)	\$38.65	\$70.30	\$127.80	\$114.49	\$107.33	\$102.22
Cortez (Daytona)		60	9x2.25", stress tol, dis. res. (GY)	\$19.65	\$33.85	\$33.85	\$29.94	\$28.64	\$26.03
Darlington		62	9x2.25"dk green select, gr dis.res	\$14.00	\$24.10	\$24.10	\$21.31	\$20.39	\$18.53
Fanfare AAS		63	9x2" semi dwarf, extended harvest	\$18.45	\$31.80	\$31.80	\$28.14	\$26.92	\$24.47
Tasty Green (Burplless)		60	12x1.5" dk green (MO)	\$16.00	\$26.70	\$26.70	\$23.62	\$22.59	\$20.54
Bristol		54	8.25x2.25", high # of fancy, great disease res.	\$16.95	\$16.95	\$16.95	\$14.98	\$14.33	\$13.02
Dasher II		58	8x2.5" uniform, dk green, good dis. res. (GY)	\$10.95	\$10.95	\$10.95	\$9.70	\$9.27	\$8.43
General Lee		66	8.5x2" very dk green, straight, high yields	\$11.40	\$11.40	\$11.40	\$10.08	\$9.64	\$8.76
Intimidator		54	8x2.25" exc. color with great disease package	\$14.85	\$14.85	\$14.85	\$13.11	\$12.54	\$11.40
Raider		52	hi quality,uniform dark green, tol.ALS,SMV(GY)	\$12.25	\$12.25	\$12.25	\$10.81	\$10.34	\$9.40
Speedway		56	8x2.5" dk green, high yields, disease res. (GY)	\$12.75	\$12.75	\$12.75	\$11.27	\$10.78	\$9.80
Stonewall		53	8" fancy, great packout & disease package (GY)	\$14.75	\$14.75	\$14.75	\$13.04	\$12.47	\$11.34
SV4719CS		54	8"x2.5" uniform dark green, heavy set (GY)	\$16.40	\$16.40	\$16.40	\$14.48	\$13.85	\$12.60
Talledega		60	8"very dk green, continuous set, smooth	\$13.95	\$13.95	\$13.95	\$12.33	\$11.80	\$10.72
Turbo		67	9x2.25" dk green, sm. seed cavity, dis.res. (GY)	\$14.55	\$14.55	\$14.55	\$12.87	\$12.31	\$11.19

CUCUMBER, PICKLING

(approx. 1,000 seeds per oz.)

		DAYS	DESCRIPTION	PRICE PER THOUSAND (M)			
				1 M	5 M	10 M	15 M
Hyb. Eureka		53	smooth, dk green, exc disease res, (MO)	\$14.60	\$12.56	\$11.77	\$11.21
Hyb. Fancipak		55	blocky, med dk green, good disease res. (PF)	\$5.90	\$4.92	\$4.62	\$4.20
Hyb. Regal		52	sl. taper, cylindrical, dk green, hi yields (GY)	\$6.95	\$6.14	\$5.87	\$5.34
				1 oz	4 oz	1/2 lb	1 lb
Hyb. Calypso		53	slight taper, dk green, good disease res. (PF)	\$3.85	\$9.60	\$16.00	\$26.70
Hyb. Carolina		55	blocky, med green, good disease res. (PF)	\$3.85	\$9.60	\$16.00	\$26.70
Bush Pickle		45	slight taper, med green, short vines (MO)	\$7.30	\$20.80	\$34.30	\$62.35
Homemade Pickle		55	med green, wh spines, bush, good disease res	\$3.50	\$8.70	\$13.00	\$20.00
National Pickling Imp.		54	slight taper, med green, black spines (MO)	\$2.10	\$5.25	\$7.80	\$12.00
SMR 58		58	straight, blocky, med green (MO)	\$2.30	\$5.70	\$8.45	\$13.00

EGGPLANT, HYB.

(approx. 6,000 seeds per oz.)

		DAYS	DESCRIPTION	PRICE PER THOUSAND (M)					
				250	500	1M	5M	10M	25M
Hansel AAS		55	3-10"non-bitter,gd dk purple	\$20.25	\$33.70	\$58.15	\$53.85	\$52.85	\$51.85
Classic		76	glossy dp purple, elongated oval, erect, hi yield	\$19.60	\$19.60	\$19.60	\$18.85	\$18.35	\$17.60
Epic		64	4x8.3" deep purple-black, oval, 36" plant, TMV	\$10.65	\$10.65	\$10.65	\$9.90	\$9.40	\$8.65
				1/4 oz	1/2 oz	1 oz	4 oz	1/2 lb	
Hyb. Millionaire		early	10+" Japanese type, purple calyx	\$21.75	\$37.45	\$64.60	\$201.80	\$347.90	
Black Beauty		80	6.5x5" purple, oval, bushy 24-30" plant	\$3.25	\$3.25	\$5.00	\$13.10	\$20.15	

ENDIVE

	DAYS	DESCRIPTION (approx. 25,000 per oz.)	1 oz	4 oz	1/2 lb	1 lb
Green Curled Ruffec	90	16-18" deeply cut, fringed margins	\$2.30	\$5.75	\$8.85	\$13.60

GOURD

	DAYS	DESCRIPTION	1 00	250	500	1 M
Daisy Mix	95	multi colored, unique daisy pattern	\$11.10	\$18.95	\$30.55	\$49.25
Galaxy of Stars	90	multi colored, shape of five pt. star	\$14.75	\$25.20	\$40.65	\$65.55
Goblin Eggs	80	multi colored mix of egg shaped gourds	\$10.30	\$17.55	\$28.35	\$45.70
Koshare Yellow	95	2x3.5", dark green with yellow bands, unique	\$11.20	\$19.15	\$30.90	\$49.85
Spoon Platoon	90	mix of spoons with warts and wings	\$13.35	\$22.75	\$36.75	\$59.25

			1 oz	4 oz	1/2 lb	1 lb
100 Bushel Plus	125	18" - 30" across, 10-14" tall, flatened globe	\$16.40	\$45.60	\$76.00	\$126.65
African Wine Kettle	125	24" up to 36" tall, mostly bottle shape	\$16.40	\$45.60	\$76.00	\$126.65
Apple - Large	120	4-5" wide,6-7"tall, true apple shape, nice if dried	\$5.75	\$14.40	\$24.00	\$40.00
Autumn Wings, small	100	2-3" bulb,4-5"neck, many colors w/unique wings	\$16.30	\$46.60	\$78.95	\$131.60
Autumn Wings, medium	100	2-3" bulb, 6"neck, spoon shape,w/unique wings	\$16.30	\$46.60	\$78.95	\$131.60
Autumn Wings, large swan	100	2-3"bulb, 12"neck,warts color & wings, swan form	\$16.30	\$46.60	\$78.95	\$131.60
Autumn Wings, Blend	100	blend of 50% small, 25% medium, & 25% large	\$16.30	\$46.60	\$78.95	\$131.60
Birdhouse - Bottle	100	8" x 15" tall, tan, bottle shape drink vessel, hard	\$5.15	\$12.90	\$21.50	\$35.75
Bottle, Miniature	100	2x4" much smaller version of Large Bottle	\$14.80	\$36.95	\$61.60	\$102.70
Calabash, Penguin	120	mostly 5"x12", for crafts, very productive	\$10.00	\$25.05	\$41.75	\$69.60
Calabash, Round-Bushel	120	12"-18", 30-100#, decorative purposes as ripe	\$7.85	\$19.65	\$32.75	\$54.60
Caveman (Maranka)	120	15-18", 6"diameter, long handle, knobby bulb	\$6.20	\$15.50	\$25.85	\$43.10
Cucuzzi (Italian Edible)	100	45x4.5" mature; edible when young-squash	\$7.20	\$18.00	\$30.00	\$50.00
Dipper	120	dipper with 3-4' slender neck	\$6.65	\$16.65	\$27.70	\$46.15
Large Fruited Mix	100+	mixture of assorted large types	\$5.10	\$12.75	\$21.25	\$35.40
Luffa (Dishcloth)	130	10x3"; after curring, peel outer skin for sponge	\$5.40	\$13.50	\$22.45	\$37.45
Lunch Lady	100	large warted blend, array of size, shape & color	\$13.60	\$38.80	\$65.75	\$109.60
Shenot Crown of Thorns	90+	unique assortment of color combos	\$10.80	\$27.00	\$44.95	\$74.95
Small Ornamental Mix	90	nice mixture of the smaller types	\$5.15	\$12.90	\$21.45	\$35.75
Small Spoon Colorful	90	small, colored spoon shapes	\$10.80	\$27.00	\$44.95	\$74.95
Swan	120	14-18" long, 6-8" base looks like Swan	\$5.90	\$14.70	\$24.50	\$40.75
Tiny Turk	100	1.5-3 lbs, miniature Turks Turban	\$7.95	\$19.90	\$33.20	\$55.35
Turk's Turban	100	ornamental squash, orange, white, red & green	\$3.95	\$11.30	\$20.30	\$33.85
Warted,Professional Mix	90	fancier warted mix of shapes & color	\$10.50	\$26.20	\$43.60	\$72.70

HERBS, ANNUAL

	DAYS	PLANT	DESCRIPTION	1 oz	4 oz	1/2 lb	1 lb
Amaranth, Red Garnet	40		21 days for baby leaf, spicy flavor	\$4.00	\$9.95	\$15.25	\$25.45
Anise	75	14-16"	leaves for garnish, seeds for flavor	\$3.75	\$9.40	\$14.45	\$22.25
Arugula / Rouquette	40		fast growing, spicy, lobed gr. leaves	\$1.35	\$3.30	\$5.05	\$7.80
Basil - Cinnamon	80	12"	Cinnamon smell & flavor, rosy flowers	\$6.50	\$16.20	\$27.00	\$45.00
Basil - Genovese	75	24-30"	xtra large dk gr, slow bolting, tender	\$2.60	\$6.35	\$9.75	\$15.00
Basil - Italian Large Leaf	90	12-14"	large flavorful 4" broad-oval, uniform	\$2.30	\$5.65	\$8.60	\$13.25
Basil - Lemon	80	12"	Lemon smell & flavor, sm. pointy leaf	\$6.50	\$16.20	\$27.00	\$45.00
Basil - Licorice or Anise	80	12"	Lic. smell & flavor, rosy fl., gr. cooking	\$6.30	\$18.00	\$30.00	\$50.00
Basil - Purple	90	15"	ornamental, purple, used for flavor	\$7.45	\$18.60	\$31.00	\$51.70
Basil - Sweet	90	20-30"	2-3" dk gr. leaf, slow bolting, sweeter	\$2.25	\$5.40	\$8.30	\$12.80
Basil - Thai	75		fine leaved green w/purple tip & vein	\$7.20	\$18.00	\$30.00	\$50.00
Chervil	60	12"	fine curled, br. green, pungent leave	\$2.60	\$6.50	\$9.95	\$15.35
Coriander (Cilantro)	50	24"	spicy & aromatic, pungent foilage	\$1.35	\$3.25	\$5.00	\$7.65
Coriander (Leisure)	50	16"	long standing, slow bolting, gr. leaves	\$1.45	\$3.45	\$5.30	\$8.15
Corn Salad - Dutch	60		special sharp flavor, use in salad mix	\$2.95	\$7.40	\$11.40	\$17.50
Dill, Bouquet	65	30-40"	strongly aromatic, slender stem	\$1.50	\$3.70	\$5.70	\$8.75
Dill, Dukat	68	30"	high yielding, heavier folage	\$1.45	\$3.55	\$5.40	\$8.35
Dill, Mammoth Long Island	70	24-30"	strongly aromatic, foilage	\$1.50	\$3.70	\$5.70	\$8.75
Florence Fennel	65	48"	sweet aroma, anise flavor	\$3.65	\$9.10	\$14.00	\$21.50
Marjoram, Sweet	70	18-24"	pleasing aromatic fragrance	\$9.00	\$25.70	\$42.85	\$71.45
Summer Savory	60	12"	pleasant, peppery herb	\$3.50	\$8.65	\$13.35	\$20.50

(cont.)

HERBS, PERENNIAL - (cont.)		DESCRIPTION	1 oz	4 oz	1/2 lb	1 lb
Caraway (Biennial)	70	18-24" seeds flavor breads, cheeses, meats	\$4.25	\$10.55	\$16.25	\$25.00
Catnip	75	2.5' cat candy, digestive tea, lemon-mint	\$6.25	\$15.60	\$24.00	\$40.00
Chives (Allium Schoeno)	80	6-18" onion flavor, rosy purple florets	\$5.20	\$12.95	\$21.55	\$35.90
Chives (Garlic)	85	24" garlic flavor, white florets	\$5.25	\$13.10	\$21.85	\$36.40
Lavender (Vera)	60	24-30" aromatic oil, dried for sachets	\$17.45	\$49.85	\$83.10	\$138.50
Oregano, Italian	90	24" dried for seasoned soups, sauces	\$17.65	\$50.40	\$84.00	\$140.00
Rosemary	90	pine scent, culinary & medicinal	\$66.55	\$221.85	\$403.35	\$733.35
Sage, Broadleaf	75	15" greyish leaves, use in meats, gravy	\$11.50	\$32.75	\$52.00	\$86.65
Thyme	85	10-12" dk green leaves, purple flowers	\$13.60	\$38.80	\$64.65	\$107.70

KALE

(approx. 7,500 seeds per oz.)

DAYS	DESCRIPTION	1 oz	4 oz	1/2 lb	1 lb	
Kailaan (Chinese)	65	easy grower, Broccoli w/white flower	\$14.75	\$37.75	\$62.95	\$104.90
Lacinato (Dinosaur)	55	blue-green savoy, 11-19"lg, 3-4"wd, gr flavor	\$2.55	\$6.50	\$10.80	\$18.00
Premier	55	med green, upright & compact	\$1.30	\$3.20	\$4.35	\$6.70
Red Russian	50	tender and colorful for salad mix	\$2.05	\$5.10	\$7.70	\$11.80
Vates, Dwarf Blue Curled	55	bright blue-green, fine crumple leaf	\$1.35	\$3.30	\$4.50	\$6.90
		PRICE PER THOUSAND (M)	1M	10M	50M	100M
Darkibor	NEW 75	Winterbor type, med green curly, ≈2'	\$11.55	\$11.03	\$10.28	\$10.03
Prizm - Hyb (AAS)	NEW 55	sweet nutty 3.5 to 4"tight ruffled edge leaves	\$12.15	\$11.67	\$10.92	\$10.67
Rogue	60	Winterbor type, curly blue-green, 24-30"	\$8.75	\$8.25	\$7.50	\$7.25
Scarlet		Redbor type, broad frilly purple leaves	\$7.95	\$7.46	\$6.71	\$6.46

KOHLRABI

(approx. 8,000 seeds per oz.)

DAYS	DESCRIPTION	1 oz	4 oz	1/2 lb	1 lb	
Early Purple Vienna	60	2.5" greenish purple, white flesh	\$2.15	\$5.35	\$8.15	\$12.50
Early White Vienna	56	2.5" globe, white & crisp flesh	\$1.60	\$4.05	\$6.10	\$9.40
		PRICE PER THOUSAND (M)	1M	10M	50M	100M
Hyb. Express Forcer	42	3-4" grn oblate, more heat tol. & slow bolting	\$13.84	\$12.34	\$11.34	\$10.34
Hyb. Grand Duke AAS	50	3-4" globe, tender flesh, holds well	\$5.05	\$4.29	\$3.54	\$3.29
Hyb. Kossak	65	up to 10" & 10 lbs, stays sweet & tender	\$22.60	\$21.82	\$21.07	\$20.82
Hyb. Winner	54	semi globe, heavy yielder, very smooth	\$5.10	\$4.33	\$3.58	\$3.33

LEEK

DAYS	DESCRIPTION (≈ 8,000 seeds per oz.)	1 oz	4 oz	1/2 lb	1 lb	
American Flag	120	7-10" long, thick white stalks, good vigor	\$4.95	\$12.30	\$18.90	\$30.50

LETTUCE, LOOSE LEAF (approx. 25,000 seeds per oz.)

DAYS	DESCRIPTION	4 oz	1/2 lb	1 lb	@5 lb	
Black Seeded Simpson	44	light green, lightly crumpled leaves, popular	\$2.85	\$4.35	\$6.70	\$6.45
Grand Rapids TBR	45	light green, heavy frilled, tip-burn resistant	\$3.10	\$4.75	\$7.25	\$7.00
Grand Rapids, Waldmann St.	45	darker strain of "Grand Rapids" large frilled lvs.	\$3.00	\$4.60	\$7.10	\$6.85
Green Ice	45	mint green, crisp & savoyed, 9-15" tall very sweet	\$4.10	\$6.25	\$9.65	\$9.40
Lolla Rosa Darky	50	gr interior, intense red ruffled leaves, amazing	\$11.00	\$17.75	\$28.60	\$28.10
Oakleaf, Green	40	med dk green, res. to hot weather, not bitter	\$3.00	\$4.60	\$7.10	\$6.85
Oakleaf, Red	40	burgandy oak leaf, mild all season not bitter	\$3.55	\$5.45	\$8.35	\$8.10
Oakleaf Royal	46	rich green, uniform, slower to bolt	\$6.70	\$10.25	\$15.80	\$15.55
Prizehead	45	light green w/red tinged edges, frilled leaves	\$2.95	\$4.50	\$6.95	\$6.70
Red Sails (PVP) AAS	40	maroon, crumpled, slow bolting, 6x Vitamin A	\$10.45	\$16.85	\$27.15	\$26.65
Ruby Red	40	bright red, glossy, crumpled frilled leaves	\$3.90	\$5.95	\$9.20	\$8.95
Salad Bowl- Green AAS	50	med green, long, wavy, slow to bolt	\$3.60	\$5.55	\$8.50	\$8.25
Salad Bowl - Red	55	bright bronze red, deep crumpled, sweet	\$3.70	\$5.70	\$8.75	\$8.50
Salad Bowl - Outrageous Red	55	bright red, improved, great baby leaf	\$8.15	\$13.10	\$21.15	\$20.65
Tango	40	dark green, tight-tender-tangy-erect rosettes	\$4.90	\$7.50	\$11.55	\$11.30
Gourmet Salad Blend		lettuces-green, red, romaine, min. 5 varieties	\$8.55	\$13.15	\$21.55	\$21.30
Mesclun Mix Blend		greens & herbs, arugula, endive, tatsoi, kale	\$8.60	\$13.25	\$21.70	\$21.45

(cont.)

LETTUCE, HEADING (approx. 25,000 seeds per oz.)

	DAYS	DESCRIPTION	4 oz	1/2 lb	1 lb	@5 lb
Bibb, B.S. (Limestone)	60	deep, waxy green, yellowish heart	\$3.90	\$5.90	\$9.10	\$8.85
Buttercrunch AAS	66	dark green, creamy heart, blistered	\$3.15	\$4.75	\$7.30	\$7.05
Great Lakes 118	82	glossy dark green, large frilled wrappers	\$10.55	\$16.25	\$25.00	\$24.50
Iceberg	82	light green with red tinge, crisp head	\$4.00	\$6.10	\$9.35	\$9.10

LETTUCE, ROMAINE (approx. 25,000 seeds per oz.)

	DAYS	DESCRIPTION	4 oz	1/2 lb	1 lb	@5 lb
Cimmaron (Deep Red)	66	bronze-red, good heads, bolts late	\$3.25	\$5.00	\$7.70	\$7.45
Freckles	70	tender, beautiful green splashed with red	\$11.15	\$17.95	\$28.95	\$28.45
Parris Island Cos.	66	dark green, creamy center, slight savoy	\$2.85	\$4.35	\$6.70	\$6.45
Super Red	65	deep red, superb flavor, exc. bolt resistant	\$5.25	\$8.10	\$12.45	\$12.20

MUSTARD (approx. 15,000 seeds per oz.)

	DAYS	DESCRIPTION	4 oz	1/2 lb	1 lb	@5 lb
Florida Broadleaf	45	light green, broad, slightly serrated (India)	\$2.55	\$3.80	\$5.75	\$5.50
Giant Southern Curl. AAS	45	bright green, crumpled, frilled margin (India)	\$2.55	\$3.80	\$5.75	\$5.50
Green Wave	45	dark green, deep frilled, spicy flavor	\$4.00	\$5.95	\$9.00	\$8.25
Mizuna	40	mild flavor, dp cut leaves, grow easily, or for baby	\$5.55	\$8.50	\$14.20	\$13.20
Red Giant (Chinese)	45	deep purple-red, lg thick savoy leaves, tender	\$5.15	\$7.90	\$13.20	\$12.20
Tendergreen (Must.Spinach)	40	glossy green, oblong-smooth leaves, large	\$2.55	\$3.80	\$5.75	\$5.50

OKRA (approx. 500 seeds per oz.)

	DAYS	DESCRIPTION	1 oz	4 oz	1/2 lb	1 lb
Jambalaya, Hyb NEW	49	early, dark green shiny pods, compact plant	\$13.95	\$41.80	\$71.90	\$130.70
Clemson Spineless 80 AAS	55	6" rich green pod, 3-4' spineless plant	\$1.00	\$2.25	\$2.90	\$4.45
Red Burgundy	60	ornamental burgundy plants, tender pods	\$1.25	\$2.95	\$4.25	\$6.50

ONION, BUNCHING & PICKLING (approx. 8,000 seeds per oz.)

	DAYS	DESCRIPTION	1 oz	4 oz	1/2 lb	1 lb
Crystal White - Pearl	70	mild, 1/2"-3/4" at 60 days, 1" at 90 days, pickling	\$5.00	\$12.55	\$20.20	\$33.65
Evergreen (Nebuka)	66	mild, non-bulbing, disease resistance, divides	\$5.10	\$12.80	\$19.65	\$32.75
Feast	68	Imp. Tokyo, heat tolerant, tol to DM & ALS	\$12.15	\$32.85	\$53.00	\$88.35
He-Shi-Ko	70	pungent, non-bulbing, dividing type, 12-14"	\$5.10	\$12.80	\$19.65	\$32.75
Ishikura Improved	66	early "Tokyo Long" type, fancy long white stalk	\$6.70	\$16.75	\$25.75	\$42.90
Scarlet Bandit	68	RED bunching onion	\$5.20	\$12.95	\$19.95	\$33.25
Tokyo Long White	68	slightly pungent, non-bulbing, single stem, 20"	\$4.25	\$10.65	\$16.40	\$27.30
White Lisbon	66	slightly pungent, dk green tops, holds well, 16"	\$4.85	\$12.05	\$18.55	\$30.90

ONION, DRY- HYB. (approx. 8,000 seeds per oz.)

	DAYS	DESCRIPTION	PRICE PER THOUSAND (M)			
			5 M	10 M	25 M	100 M
Candy (yellow)	102	very mild, jumbo globe, small neck, golden	\$3.51	\$3.16	\$2.81	\$2.34
Centerstone (yellow)	105	jumbo Spanish, bolt tolerant, good storage	\$3.99	\$3.60	\$3.20	\$2.66
Milestone (yellow)	110	large globe, hi quality pack out, good storage	\$3.47	\$3.13	\$2.78	\$2.32
Red Zeppelin (Red)	110	bright red, med to jumbo, good storage	\$3.71	\$3.34	\$2.97	\$2.47
SV4643NT (Red)	105	Mars-Mercury replacement, brt red, lg storage	\$4.85	\$4.36	\$3.88	\$3.23
Sierra Blanca (White)	102	mild, jumbo globe, sub for SUPERSTAR	\$4.07	\$3.66	\$3.25	\$2.71

	DAYS	DESCRIPTION	1 oz	4 oz	1/2 lb	1 lb
Walla Walla Sweet Spanish	105	very mild, yellow, large globe, popular	\$9.20	\$26.25	\$43.70	\$72.85
White Sweet Spanish	115	mild, white, popular, large globe	\$4.20	\$12.00	\$20.00	\$33.35
Yellow Sw. Sp. Utah Jumbo	115	mild, dark yellow, very large globe	\$4.40	\$12.60	\$21.00	\$35.00

ONION SETS - in season, pricing on website when available

ASK FOR PRICING

PARSLEY (approx. 15,000 seeds per oz.)

	DAYS	DESCRIPTION	1 oz	4 oz	1/2 lb	1 lb
Moss Curled (Triple Curled)	70	dark green, finely cut, deeply curled, 12" plant	\$1.70	\$3.75	\$5.55	\$8.55
Plain Leaf	72	med. green, deep cut, flat, excellent flavor	\$1.65	\$3.65	\$5.45	\$8.35

PARSNIP

(approx. 10,000 seeds per oz.)

	DAYS	DESCRIPTION	PRICE PER POUND			
			4 oz	1/2 lb	1 lb	@5 lb
Harris Model	125	12" very tender, appetizing flavor	\$3.15	\$4.85	\$7.30	\$7.10
Imp. Hollow Crown	125	heavy yield, sweet after freeze	\$3.15	\$4.85	\$7.30	\$7.10

PEA - EDIBLE POD

(approx. 1,500-2,400 seeds per lb.)

	DAYS	VINE	POD	DESCRIPTION	PRICE PER POUND			
					1 lb	5 lb	25 lb	50 lb
Dwarf Grey Sugar (snow)	66	24"	2.8"	small seed, earliest snow	\$2.85	\$2.35	\$2.05	\$1.85
Mammoth Melting (snow)	70	36-40"	4.3"	the standard of snow	\$2.90	\$2.40	\$2.10	\$1.90
Oregon Giant (snow)	69	30-36"	5.2"	big pods & big yields	\$2.95	\$2.45	\$2.15	\$1.95
Oregon Sugar Pod II (snow)	68	14-30"	4"	good disease res.	\$2.85	\$2.35	\$2.05	\$1.85
Cascadia	67	30"	3"	tender & sweet, excellent	\$3.05	\$2.55	\$2.25	\$2.05
Sugar Ann	60	18"	3"	early sugar snap, sweet	\$3.75	\$3.25	\$2.95	\$2.75
Sugar Bon	56	18-24"	2-3"	heat & PM resis., early	\$3.25	\$2.75	\$2.45	\$2.25
Sugar Heart	67	30"	3"	sweet crunchy, vigor, heat tol	\$5.25	\$4.75	\$4.45	\$4.25
Sugar Lace II	68	30"	4"	stringless, sweeter, tol PM	\$5.25	\$4.75	\$4.45	\$4.25
Sugar Sprint	62	26"	3"	new stringless Sugar Ann	\$5.25	\$4.75	\$4.45	\$4.25
Sugar Snap	70	5'	3"	original snap pea, tall vine	\$3.10	\$2.60	\$2.30	\$2.10
Super Sugar Snap	66	5'	3"	earlier, better disease res.	\$5.00	\$4.50	\$4.20	\$4.00

PEA - GARDEN

(approx. 1,500-2,400 seeds per lb.)

	DAYS	VINE	SZE.	P-POD	DESCRIPTION	PRICE PER POUND			
						1 lb	5 lb	25 lb	50 lb
Alaska	56	24-28"	sm	5-7	light green	\$2.90	\$2.40	\$2.10	\$1.90
Early Frosty	63	28"	med	6-8	hi.yield, freezer	\$3.05	\$2.55	\$2.25	\$2.05
Green Arrow	69	28"	med	9-11	dark green	\$3.15	\$2.65	\$2.35	\$2.15
Knight	61	20"	lge	9-10	high yield, dis.res.	\$3.10	\$2.60	\$2.30	\$2.10
Lincoln	67	28"	med	5-7	med green	\$3.15	\$2.65	\$2.35	\$2.15
Little Marvel	63	15-17"	med	6-8	dark green	\$3.10	\$2.60	\$2.30	\$2.10
Maestro	61	27"	lge	8-10	dark green, dis.res.	\$3.50	\$3.00	\$2.70	\$2.50
Oregon Trail	61	24"	lg	8-10	dble. bloom, hi yield	\$3.25	\$2.75	\$2.45	\$2.25
Spring	57	22"	sm	6-7	dk green, exc.quality	\$3.50	\$3.00	\$2.70	\$2.50
Wando	70	28-30"	med	6-8	dark green	\$3.05	\$2.55	\$2.25	\$2.05

PEA - SOUTHERN / COWPEA

	DAYS	DESCRIPTION	PRICE PER POUND			
			1 lb	5 lb	25 lb	50 lb
California Blackeye #5	95	concentrated set, disease tolerant	\$3.20	\$2.70	\$2.50	\$2.35

PEPPER, HYB., SWEET

(approx. 4,000 seeds per oz.)

	DAYS	SIZE	LOBE	DESCRIPTION	PRICE PER THOUSAND (M)			
					500	1M	5M	25M
Admiral (Yellow)	72	4x4"	4	gr to yell. , th wall, BST 1&2	\$29.50	\$49.15	\$46.67	\$43.67
Archimedes (X3R) NEW	74	4x4.5"	3-4	gr to red, firm & blocky, res	\$46.25	\$77.05	\$74.53	\$71.53
Aristotle (X3R)	70	4x4.5"	3-4	gr to red, blocky, BST 123	\$48.85	\$81.40	\$78.87	\$75.87
Big Bertha	70	7X4"	4	gr to red, giant bell	\$31.10	\$51.85	\$49.34	\$46.34
Colossal	70	xtra lge	3-4	gr to red, yield, firm, less culls	\$28.85	\$48.10	\$45.60	\$42.60
Early Sunsatation (Yellow)	69	4x4"	3-4	dk gr to yell. , yield BST 123	\$36.15	\$60.20	\$57.71	\$54.71
Excursion II	70	4.5x4.5"	4	dk gr to red, th walls, blocky	\$29.10	\$48.50	\$46.00	\$43.00
Garfield (ACR 29920R)	70	4x4.5"	4	gr to orange , great color	\$37.80	\$63.00	\$60.51	\$57.51
Gypsy AAS (Frying type)	60	4x3.5"	3	yel to red, gd taste, yield	\$24.90	\$41.50	\$39.02	\$36.02
King Arthur	68	4.5x4.5"	3-4	sets in heat, exc. dis. res.	\$29.55	\$49.25	\$46.73	\$43.73
Lady Bell	71	4.5x3.5"	3-4	gr to red, prolific, res.-T.M.V.	\$27.90	\$46.50	\$44.00	\$41.00
North Star	62	4x3.5"	3-4	continual fruit set, early red	\$32.35	\$53.90	\$51.38	\$48.38
PS09941819 (XR5)	73	4.5x4.5"		XR5 Aristotle , contin. set	\$50.60	\$84.30	\$81.80	\$78.80
Red Crest	50	conical		gr to red, sweet, dis. tolerant	\$45.95	\$76.60	\$74.10	\$71.10
Red Knight (X3R)	65	4.5x4.5"	3-4	blocky early red, BST 123	\$36.40	\$60.70	\$58.17	\$55.17
Socrates (X3R)	65	4.5x4.5"	4	blocky, dis. pack., BST 123	\$41.20	\$68.65	\$66.16	\$63.16
Summer Sweet 8620	73	large	4	gr to yell , blocky hi quality	\$24.15	\$40.25	\$37.75	\$34.75
SV3255PB (XR10) NEW	74	med-lge		dk gr to red, blocky, cont set	\$59.90	\$99.85	\$97.33	\$94.33
Takii Ace	50	sm-med	3-4	gr to red, highly productive	\$16.20	\$24.90	\$22.39	\$19.39
Turnpike (XR5) NEW	75	4.75x4.5"	4	blocky, thick wall, concen set	\$51.35	\$85.60	\$83.08	\$80.08
Wonder Bell	60	large	4	large thick wall, gr to red bell	\$17.70	\$27.25	\$24.76	\$21.76

(cont.)

PEPPER, O.P., SWEET - (cont.) (approx. 4,000 seeds per oz.)

	DAYS	SIZE	LOBE	DESCRIPTION	1/2 oz	1 oz	4 oz	8 oz
California Wonder 300	75	4x4"	4	gr to red, blocky, adapted	\$4.25	\$6.55	\$17.70	\$27.25
Cubanelle	65	6x3"	pt.	yel-green to red, tapered	\$4.90	\$7.55	\$20.45	\$31.45
Emerald Giant (TMV)	74	4x3.5"	4	gr to red, a standard	\$8.95	\$13.75	\$37.20	\$57.25
Jupiter	66	4.5x4.5"	4	gr to red, blocky, hi yield	\$12.45	\$19.15	\$51.75	\$82.15
Purple Beauty	70	4.5x3.5"	4	dk purple, large & thick	\$13.10	\$20.10	\$54.35	\$86.30
Sweet Banana AAS	65	5.5x1.5"	pt.	yel to orange, widely adapt	\$4.75	\$7.30	\$19.75	\$30.40
Yolo Wonder	78	4.5x4"	3-4	gr to red; large, standard	\$4.30	\$6.55	\$17.70	\$27.25

PEPPER, O.P., HOT (approx. 4,000 seeds per oz.)

	DAYS	DESCRIPTION	1/2 oz	1 oz	4 oz	8 oz
Anaheim	80	7x1.8" green to red, flat chili type	\$5.10	\$7.80	\$21.15	\$32.50
Ancho 101	78	dark green to mahogany heart shape	\$5.20	\$8.00	\$21.60	\$36.00
Caribbean Red (Habanero)	90	2x1" up to 2x the heat of std Habanero	\$13.70	\$22.80	\$65.15	\$111.70
Cayenne Large Red Thick	73	6x1" dark green to red, thin walls	\$7.40	\$11.40	\$30.80	\$47.35
Cayenne Long Slim	70	5x.5" green to red, thin, very productive	\$4.60	\$7.05	\$19.00	\$29.25
Cherry, Large Red	80	1.5x1" oblate, med. pungency, continuous set	\$7.55	\$11.60	\$31.40	\$52.30
Ghost	95	3x3.5" one of worlds hottest, handle carefully	\$24.60	\$41.00	\$117.15	\$200.80
Habanero Blend		blend of 5-6 different habaneros	\$17.75	\$29.60	\$84.50	\$144.80
Habanero - Orange	90	1x1.5" light green to orange, extremely hot	\$12.70	\$21.20	\$60.50	\$103.70
Hot Hungarian Yellow Wax	65	5.5x1.5" yellow to orange/red, productive	\$4.60	\$7.05	\$19.00	\$29.25
Jalapeno, Early	60	2.5x1" green to red, early, uniform	\$6.80	\$10.45	\$28.20	\$43.35
Jalapeno, M	75	3x1.5" green to red, thick, uniform	\$4.75	\$7.30	\$19.70	\$30.35
Serrano Chili	75	2.25x.5" green to red, very hot, thin	\$4.15	\$6.40	\$17.25	\$26.55
Thai Hot	70	1" slim very hot, green to red	\$24.70	\$41.15	\$117.60	\$201.60

PEPPER, HYB., HOT (approx. 4,000 seeds per oz.)

	DAYS	DESCRIPTION	PRICE PER THOUSAND (M)			
			500	1M	5M	25M
Cocula (Serrano)	65	3.5x1", excellent fruit, concentrated set	\$32.20	\$56.50	\$54.01	\$51.01
Grande (jalapeno)	65	jumbo jalapeno, thickwall, vigorous	\$29.70	\$52.05	\$49.56	\$46.56
Inferno	65	8x1.5" Banana type, uniform, high yields	\$30.40	\$53.30	\$50.80	\$47.80
Mesilla	65	10x1.5" Cayenne type, gd.disease res.	\$33.15	\$58.15	\$55.65	\$52.65
Mitla (jalapeno)	60	3.5x1.5" dark green to red, high yields	\$25.30	\$44.35	\$41.85	\$38.85
PS11435807 (jalapeno)	65	large smoothbullet, thick flesh, gr disease res	\$32.60	\$57.20	\$54.69	\$51.69
Sahuaro (anaheim)	69	7.5x1.5" large flat fruit, heavy yield Hyb.	\$33.55	\$58.85	\$56.33	\$53.33
Super Chili AAS	75	2.5x.5" green to red, 1st hybrid Chili	\$27.45	\$47.30	\$44.78	\$41.78
SV3198HJ (jalapeno)	70	Longer Blockier, heavy yield, disase res.	\$33.25	\$58.30	\$55.77	\$52.77
Vencedor	70	7x3.5" dark green to red, hybrid Ancho	\$31.85	\$55.90	\$53.39	\$50.39

PUMPKIN, O.P.

	DAYS	SIZE	DESCRIPTION	4 oz	1/2 lb	1 lb	@5 lb
Atlantic Giant	120	150+ #	orange, largest, record over 1200#	\$20.35	\$36.60	\$61.00	\$59.00
Baby Boo (white mini)	95	2-3"	white 'Jack Be Little', edible	\$33.80	\$64.10	\$116.55	\$113.55
Baby Pam	100	5x5.5"	dark orange, strong handle	\$8.80	\$15.85	\$26.40	\$26.15
Big Max	120	75+ #	orange on pink, good potential	\$4.40	\$7.90	\$13.20	\$12.95
Casper (white skin)	90	10-20#	smoother white for painting	\$11.30	\$20.30	\$33.80	\$33.55
Connecticut Field	100	15-25#	best selling Jack O'Lant. type	\$3.20	\$5.70	\$9.50	\$9.25
Cushaw Green Striped	112	12#	white & green stripe, sweet for pies	\$3.35	\$6.00	\$10.00	\$9.75
Cushaw - Mixed	112	12#	white, orange, orange & green stripe	\$12.85	\$23.10	\$38.50	\$37.50
Fairytale	110	6"x15"	dk tan , hvy ribbed cinerella shape	\$22.55	\$40.60	\$67.70	\$65.70
Galeux d' Eysines (Peanut)	105	10-15#	covered in peanut shell like warts	\$21.00	\$37.80	\$63.00	\$61.00
Gold Rush	120	25-35#	dp orange, LARGE stem, thck flesh	\$21.90	\$39.45	\$65.75	\$63.75
Gold Standard	90	18#	gd stems, hi yields, restricted vine	\$28.40	\$51.10	\$85.15	\$83.15
Howden	115	20-30#	deep orange, hard shell, gd yields	\$5.30	\$9.55	\$15.90	\$15.40
Jack Be Little (orange mini)	95	2-3"	miniature for decoration, edible	\$10.30	\$18.50	\$30.85	\$29.85
Jack-O-Lantern	100	10#	dark orange, slight rib, lge. cavity	\$3.15	\$5.70	\$9.45	\$9.20

(cont.)

PUMPKIN, O.P. - (cont.)

	DAYS	SIZE	DESCRIPTION	4 oz	1/2 lb	1 lb	@5 lb
Jarradale	95	10"	blue-grey , for food or decoration	\$6.90	\$12.40	\$20.60	\$20.35
Red Eye	110	18#	red decorative squash, unique	\$25.10	\$45.15	\$75.20	\$73.20
Red Warty Thing	110	20#	bright orange, warty, hard thick rind	\$25.55	\$45.95	\$76.60	\$74.60
Rouge Vif D'Etampes	100	15"x6"	"Cinderella" dp. ridge, br. red-orge	\$12.35	\$22.25	\$37.10	\$36.10
Small Sugar /N.E.Pie	90	6-8"	orange, exc. quality, stores well	\$3.15	\$5.70	\$9.45	\$9.20
Spookie Pie	105	6"	dk orange, rnd, smooth, thick flesh	\$3.70	\$6.60	\$11.00	\$10.75
Valenciano (white skin)	110	12x8"	white smooth skin, flatter w/ribs	\$19.05	\$34.30	\$57.10	\$55.10
Wee Be Little AAS	85	3"	true mini pumpkin, smooth, bush	\$23.75	\$42.75	\$71.25	\$69.25
Wolf	120	15-25#	largest of all handles , thick & long	\$37.30	\$70.75	\$128.60	\$126.60

PUMPKIN, O.P.

(approx. 3,000 seeds per lb.)

PRICE PER THOUSAND (M)

	DAYS	SIZE	DESCRIPTION	100	250	500	1 M	3 M
One Too Many	110	20#	red veins on white	\$21.40	\$42.80	\$77.80	\$134.20	\$132.17
Small World of Color	110	12"x11"	mix of white, pink, & blue	\$30.10	\$60.20	\$109.45	\$188.70	\$186.70
Baby Bear AAS	105	6"x 4"	br. orange, 2#, 3" strong curly stem	\$6.90	\$10.65	\$16.35	\$14.35	\$14.35
Howden Biggie	115	40-50#	dk org, globe to tall, dk strong stem	\$26.50	\$48.20	\$80.35	\$80.35	\$78.34
Munchkin	100	3-4"	mini with deep sutures, firm longer	\$14.05	\$24.20	\$40.35	\$40.35	\$38.34
Sanchez	95	6"x4"	warted , squaty 3-6lb br. orge unique	\$20.30	\$33.85	\$56.40	\$56.40	\$54.42
Sweet Lightning	100	1#+	orge stripes on pale yellow, PMT	\$16.40	\$27.35	\$44.15	\$44.15	\$42.14
Tom Fox	110	12-24#	deep orange, fantastic handles	\$13.90	\$23.15	\$37.35	\$37.35	\$35.34

PUMPKIN, HYB.

(approx. 3,000 seeds per lb.)

	DAYS	SIZE	DESCRIPTION	4 oz	1/2 lb	1 lb	@5 lb
Autumn Gold AAS	90	10-15#	brilliant orange, very uniform, prec.	\$24.05	\$43.30	\$72.15	\$70.15
Gold Medal	95	35-40#	dk orge, large handle, top in class	\$36.55	\$69.30	\$125.95	\$123.95
Harvest Time	93	24-28#	md orge, mostly tall , exc handles	\$21.00	\$37.80	\$63.00	\$61.00
Pik-A-Pie	85	4-5#	dk orge, lge dk handle, semi-bush	\$27.10	\$48.80	\$81.30	\$79.30
Touch of Autumn PMT	95	3.5-4#	exc. handles, compact bush	\$29.20	\$52.55	\$87.60	\$85.60
				PRICE PER THOUSAND (M)			
				500	1 M	3 M	15 M
Aladdin (Farmore)	110	30-50#	dk orange, semi-full vine PMT	\$60.20	\$103.75	\$101.74	\$100.74
Blanco	105	4-6#	tru white, uniform rnd shallow ribs	\$34.25	\$57.10	\$55.11	\$54.11
Charmed	89	15-18#	dk orange, distinct ribs, med vine	\$27.65	\$46.10	\$44.11	\$43.11
Early Giant	95	25-30#	dk orange, mostly tall, ribbed, IPM	\$33.10	\$55.10	\$53.11	\$52.11
Early King NEW	90	22-28#	dp orge, thick handle, sl tall PMR	\$33.10	\$55.10	\$53.11	\$52.11
Gladiator	115	18-26#	dk orge, lge stem, strong res PM	\$61.35	\$105.75	\$103.74	\$102.74
Gold Dust	95	3x2"	dk orange, PMT tol., semi bush	\$26.95	\$44.85	\$42.87	\$41.87
Knuckle Head	105	12-16#	warty , deep orange, very unique	\$53.20	\$91.70	\$89.68	\$88.68
Lil' Orange Mon	100	1-2#	dk orange w/ light orange flecking	\$58.10	\$96.85	\$94.83	\$93.83
Lil' Pump-Ke'-Mon	100	1-2#	orge & green stripes on white	\$52.60	\$87.65	\$85.67	\$84.67
Magic Lantern	112	17-25#	13-15" dark, PM tol., compact vine	\$45.00	\$75.00	\$73.00	\$72.00
Mustang	100	22#	dk orange, sturdy handles, PMR	\$41.35	\$71.25	\$69.27	\$68.27
Mystic Plus	105	5-7#	5-8", lge handle gd attach, PMT	\$47.40	\$79.00	\$77.00	\$76.00
Neon	75	7-10#	dk handle, br orge, semi-bush, prec	\$29.55	\$49.25	\$47.27	\$46.27
Orange Rave	112	15-25#	dk orge, st handle, semi vine, PMT	\$40.75	\$67.85	\$65.87	\$64.87
Orange Smoothie AAS	90	5-8"	dk orange, long strong handles	\$20.45	\$34.05	\$32.06	\$31.06
Pam	90	7x7"	dp orange, compact vine, prolific	\$22.35	\$37.20	\$35.20	\$34.20
Prankster PMT	85	3#	exc. stem, ideal-painting & boxing	\$25.90	\$43.15	\$41.14	\$40.14
Rocket	95	12-20#	solid, ability to hold free of rot	\$21.95	\$36.60	\$34.60	\$33.60
Spooktacular	85	5-6"	br. orge, strong stem, gd shape	\$23.40	\$39.00	\$36.98	\$35.98
				50	250	500	1 M
Prizewinner	120	100+#	br. red-orange, glossy, huge, nice	\$28.50	\$114.05	\$198.70	\$367.95
Full Moon (white skin)	115	60-90#	25" tall, 30" wide, smooth	\$11.60	\$46.45	\$84.45	\$145.60
New Moon (white skin)	90	35-75#	excel. painting or carving	\$12.75	\$51.05	\$92.80	\$160.00

RADISH

(approx. 2,500 seeds per oz.)

PRICE PER THOUSAND (M)

	DAYS	DESCRIPTION	1 M	10 M	25 M	50 M	250 M
Hyb. April Cross	60	16x2.5" white , slow bolt, slow pithy	\$8.95	\$8.36	\$8.11	\$7.96	\$7.84
Hyb. Cherriette	24	globe, br red, crisp, holds, hyb. Cherry Belle type	\$1.61	\$1.41	\$1.26	\$1.06	\$1.06
Hyb. Red Satin	23	superior red globe, med. top, replaced Kaspar	\$1.77	\$1.57	\$1.42	\$1.22	\$1.22

RADISH

(approx. 2,500 seeds per oz.)

	DAYS	DESCRIPTION	1 oz	4 oz	1/2 lb	1 lb	@5 lb
Hyb. Minowase S. Cross #3	50	16x2.5" white , heat tolerant, Daikon	\$18.00	\$51.40	\$83.10	\$151.10	\$149.10
Mino Early Long White	40	15" taper white , crispy, tender, mild	\$9.05	\$25.80	\$44.20	\$73.65	\$72.65
Red Meat	60	3" globe, red flesh, salad-pickling-cook	\$9.50	\$27.15	\$46.55	\$77.60	\$76.60
Black Spanish, Round	60	black skin white flesh, stores well		\$2.30	\$3.55	\$5.45	\$5.20
Champion AAS	28	globe, br. red, good holder, 4" top		\$2.05	\$3.15	\$4.85	\$4.60
Cherry Belle AAS	21	globe to rd, br. red, forcing, 3" top		\$2.05	\$3.15	\$4.85	\$4.60
Crimson Giant	30	crimson red, crisp, stands heat, 4.5" top		\$2.05	\$3.15	\$4.85	\$4.60
Early Scarlet Globe	23	round to gl., br. red, med top for sand		\$2.05	\$3.15	\$4.85	\$4.60
Easter Egg	28	globe, mix of red, pink, purple, violet & white		\$4.65	\$7.15	\$11.00	\$10.50
French Breakfast	24	oblong, scarlet w/white tip, 5-6" top		\$2.05	\$3.15	\$4.85	\$4.60
German Giant	29	red, marble to baseball, tender and mild		\$5.85	\$9.00	\$13.80	\$13.30
Red Arrow (sprouting)	5-12	colorful red stems, reddish green cotyledons		\$1.85	\$2.85	\$4.35	\$4.10
Sango (micro)	10-12	purple , tangy, sprouting & micro greens		\$8.25	\$14.15	\$23.60	\$22.60
Sparkler	25	round, scarlet to white tip , 5-6" top		\$2.05	\$3.15	\$4.85	\$4.60
Watermelon	60	3-3.5" white , sweet burst of watermelon rose		\$6.10	\$10.45	\$17.45	\$16.45
White Globe Hailstone	25	globe, pure white , holds well, sprouts		\$2.40	\$3.70	\$5.65	\$5.40
White Icicle	30	5" long & tapering, white , 4" top		\$2.05	\$3.15	\$4.85	\$4.60
China Rose (Winter)	52	6-7x2" oblong, deep rose, large top		\$2.30	\$3.55	\$5.45	\$5.20

RHUBARB

(approx. 1,700 seeds per oz.)

			4 oz	1/2 lb	1 lb	@5 lb
Victoria		18-24" standard main crop variety, largest	\$15.20	\$23.35	\$38.95	\$37.95

RUTABAGA**DAYS** (approx. 10,000 seeds per oz.)

	DAYS		4 oz	1/2 lb	1 lb	@5 lb
American Purple Top	90	5-6" globe, purple crown, yellow below crown	\$1.95	\$3.00	\$4.65	\$4.40

SPINACH

(approx. 2,500 seeds per oz.)

	DAYS	DESCRIPTION	PRICE PER THOUSAND (M)			
			10M	25M	50M	200M
Hyb. Bolero	45	dk green, smooth thick heavy leaf	\$0.63	\$0.51	\$0.47	\$0.37
Hyb. Menorca	42	dk green, fully savoyed, great for baby leaf	\$0.80	\$0.66	\$0.58	\$0.48
Hyb. Olympia NEW	45	md green, smooth large oval leaf, bolt tolerant	\$0.69	\$0.57	\$0.51	\$0.41
Hyb. SV2157VB	50	dk green, thick semi savoyed, upright habit	\$0.69	\$0.57	\$0.51	\$0.41
Hyb. Unipack 12	45	dk green, smooth leaf, bolt tolerant	\$0.64	\$0.53	\$0.48	\$0.38
Hyb. Unipack 151	45	dk green, semi-savoy, gd heat tolerance	\$0.80	\$0.66	\$0.58	\$0.48
			4 oz	1/2 lb	1 lb	@5 lb
Bloomsdale Long Stand.	42	dk green, heavily savoyed, vigorous	\$2.95	\$4.50	\$6.90	\$6.65
Malabar - Green NEW	85	thick deep green leaves, green vining stems	\$20.35	\$31.30	\$56.90	\$55.90
Red Malabar	85	dk gr leaves, dp red stems. climbing vines	\$23.00	\$35.40	\$64.35	\$63.35

SQUASH, WINTER - HYBRID

(approx. 4,000 seeds per lb.)

	DAYS	SIZE	DESCRIPTION	PRICE PER THOUSAND (M)			
				1/2M	1M	3M	15M
Autumn Delight	75	6x5"	Acorn , PMT Table Ace, semi-bush	\$18.25	\$33.15	\$32.17	\$31.67
Avalon (Butternut)	88	12"	Butternut , very uniform & hi yields	\$15.20	\$27.70	\$26.67	\$26.17
Betternut 401	80	3#	very uniform with PM Tolerance	\$14.70	\$26.70	\$25.70	\$25.20
Carnival	85	5x4"	semi bush, multi colored Acorn	\$22.85	\$41.50	\$40.50	\$40.00
Celebration	80	4x5"	PM tol. , gold striped Acorn	\$13.50	\$24.55	\$23.57	\$23.07
Cream of the Crop AAS	85	3#	white bush Acorn , nutty flavor	\$15.70	\$28.50	\$27.50	\$27.00
Early Butternut AAS	82	10"	semi-bush Butternut , very uniform	\$13.25	\$24.10	\$23.07	\$22.57
Frisco (Butternut)	90	6#	very thick neck, highly productive	\$19.45	\$35.35	\$34.37	\$33.87
Hearts of Gold	90	5"x 5"	heart shape, Sweet Dumpling type	\$15.10	\$27.45	\$26.44	\$25.94
Little Dipper NEW	100	2#	mini Butternut , uniform & vigorous	\$27.95	\$50.85	\$49.84	\$48.84
Primavera NEW	90	2.5-3#	yellow Spaghetti , uniform, compact	\$24.55	\$44.65	\$43.62	\$43.12
Reno (Acorn)	70	5"x4"	dk grn, very sweet productive bush	\$18.00	\$32.75	\$31.74	\$31.24
Small Wonder	70	6x5"	yell.-orange Spaghetti , shelf life	\$20.80	\$37.75	\$36.77	\$36.27
Table Ace	70	5-6"	black-green, semi-bush Acorn	\$14.65	\$26.60	\$25.61	\$25.11
Tay-Belle PM (Acorn)	70	6x7"	Tay Belle with res. Powdery Mildew	\$16.15	\$29.35	\$28.35	\$27.85
Ultra (Butternut)	90	10#	extra large Butternut type	\$19.10	\$34.70	\$33.70	\$33.20
Victory (Butternut)	88	2.5#	very productive and uniform	\$24.85	\$45.15	\$44.14	\$43.64

(cont.)

SQUASH, WINTER - HYBRID - (cont.) (approx. 4,000 seeds per lb.)

	DAYS	SIZE	DESCRIPTION	4 oz	1/2 lb	1 lb	@5 lb
Autumn Cup	95	8x5"	buttercup , small button, semi-bush	\$39.40	\$74.70	\$135.85	\$134.85
Festival	100	4x5"	Carnival type, gr & orange sutures	\$26.70	\$48.00	\$80.00	\$79.00
Hokkori	79	4#	Kabocha uniform size, exc. quality	\$35.70	\$64.20	\$107.00	\$106.00
Pilgrim (Butternut)	85	10"	semi bush, great crack resistance	\$27.00	\$48.60	\$81.00	\$80.00
Sunspot	75	6x4"	dk red Buttercup , exc. dry flesh	\$45.85	\$86.95	\$158.00	\$157.00
Sweet Mama AAS	85	4.5#	cupless type sweet & stores good	\$49.65	\$94.10	\$171.10	\$170.10
Tetsukabuto	85	9#	dk green, sweet & nutty, exc storage	\$43.40	\$82.30	\$149.55	\$148.55
Tivoli	95	3-4#	bush spaghetti , compact vines	\$36.90	\$70.00	\$127.25	\$126.25

SQUASH, WINTER - Open Pol. (approx. 4,000 seeds per lb.)

	DAYS	SIZE	DESCRIPTION	4 oz	1/2 lb	1 lb	@5 lb
Banana Pink Jumbo	105	36x8"	pinkish-orange, cylindrical	\$4.85	\$8.75	\$14.55	\$14.30
Buttercup Burgess Strain	100	8"	deep green, grey turban cap	\$3.65	\$6.60	\$10.95	\$10.70
Butternut - Waltham AAS	110	8-10"	light tan-buff, standard, nutty flavor	\$4.10	\$7.40	\$12.35	\$12.10
Delicata	100	7x3"	"Sweet Potato", striped, sweet	\$8.00	\$14.40	\$24.00	\$23.50
Delicata, Bush AAS	100	5-6"	bush type tolerant - powdery mildew	\$18.80	\$35.65	\$64.80	\$63.80
Golden Delicious	100	12x8"	red-orange, rind is hard & smooth	\$4.35	\$7.85	\$13.10	\$12.85
Hubbard, Blue	110	7-10#	blue-grey, globular seed cavity	\$4.15	\$7.45	\$12.35	\$12.10
Hubbard, Chicago Warded	115	13x10"	dark green-black with warts, for pies	\$4.10	\$7.40	\$12.30	\$12.05
Hubbard, Golden	105	11x9"	red-orange skin, warded, stores well	\$4.35	\$7.85	\$13.10	\$12.85
Hubbard, True Green, Imp.	105	12x9"	dk bronze-green, good ship & keep	\$4.35	\$7.85	\$13.10	\$12.85
Hubbard, Mixed	105+		mixture of at least 4 hubbard types	\$4.65	\$8.10	\$13.50	\$13.25
Mooregold	90	6.5x5"	orange buttercup, keeper, hard shell	\$11.45	\$20.60	\$34.30	\$33.30
Sweet Dumpling	100	4x4"	creamy-white, green stripe, sweet	\$26.55	\$50.35	\$91.50	\$90.50
Sweet Meat	100	9x5"	grey-green, deep yellow, dry, sweet	\$5.45	\$9.80	\$16.35	\$16.10
Table Gold	65-85	acorn	ripe at orge, like summer sq. at yel.	\$18.15	\$32.70	\$54.50	\$54.00
Table King Acorn Bush	80	5.5x4.5"	glossy dk green, 5-8 fruits per plant	\$4.25	\$7.60	\$12.65	\$12.40
Table Queen Acorn	80	6x4"	hard dark green, thin rind, dry, thick	\$3.65	\$6.55	\$10.90	\$10.65
Table Queen Bush	80	5x3.5"	dk green acorn, 36" diameter bush	\$4.35	\$7.75	\$12.95	\$12.70
Tiny Turk	100		1.5-3 lbs, miniature Turks Turban	\$19.90	\$33.20	\$55.35	\$54.35
Turk's Turban (ornamental)	100	8x7"	streaked orange, white, green, red	\$11.30	\$20.30	\$33.85	\$33.35
Uchiki Kuri	85	6-8"	orange-red rind, sweet & nutty	\$25.60	\$48.60	\$88.30	\$87.30
Vegetable Spaghetti	90	8-9"	yellow, flesh is stringy & thin	\$4.20	\$7.50	\$12.50	\$12.25

SQUASH, SUMMER- HYBRID (approx. 4,800 seeds per lb.)

	DAYS	DESCRIPTION	PRICE PER THOUSAND (M)			
			1/2 M	1 M	3 M	15 M
Ambassador	51	7-8" waxy med green, compact/open bush	\$26.40	\$43.95	\$42.46	\$41.96
Cash Flow	45	7-8" med green, high yields, good quality	\$33.10	\$55.15	\$53.62	\$53.12
Daisey	41	6-7" lemon yellow straightneck , green stem	\$14.15	\$23.55	\$22.04	\$21.54
Eight Ball AAS	42	ball shape, shiny speckled dk green, hvy yields	\$26.80	\$44.65	\$43.17	\$42.67
Enterprise	41	7-8" yellow straightneck , productive & vigor	\$18.40	\$30.65	\$29.13	\$28.63
Gold Rush AAS	53	7-8" deep gold , upright & open plant	\$24.00	\$40.00	\$38.50	\$38.00
Golden Dawn III	47	7" gold , nearly spineless, open habit	\$25.25	\$42.10	\$40.61	\$40.11
Golden Delight NEW	47	7-8" gold semi spineless, upright open habit	\$27.10	\$45.15	\$43.64	\$43.14
Multi Pik	42	5-7" yellow straightneck resists greening	\$18.00	\$30.00	\$28.50	\$28.00
President	49	7-8" dk green, lt. gr. flecks, upright plant	\$25.55	\$42.60	\$41.10	\$40.60
Sebring	40	consistent golden color, open strong plant, PMT	\$19.45	\$32.40	\$30.90	\$30.40
Spineless Beauty	48	8x1.5" med. dark green, spineless petioles	\$25.50	\$42.50	\$40.98	\$40.48
Sunburst AAS	50	2.5x3" br. yellow scallop , compact/open	\$25.95	\$43.25	\$41.74	\$41.24
XPT 1832 III	43	5-6" yellow straightneck , hi res - mosaic virus	\$30.40	\$50.65	\$49.12	\$48.62
Zucchini Elite	48	long, med gr, cylindrical, very high yielding	\$26.80	\$44.65	\$43.17	\$42.67
			4 oz	1/2 lb	1 lb	@5 lb
Lunar Eclipse (Patty Green)	49	2-3" light green, scallop , good yield	\$12.50	\$23.75	\$43.20	\$42.20

FOR PICTURES & MORE INFORMATION GO TO www.jordanseeds.com

SQUASH, SUMMER

	DAYS	DESCRIPTION	4 oz	1/2 lb	1 lb	@5 lb
Bennings Green Tint	49	3x2.5" pale green, scalloped , spiny	\$5.40	\$9.30	\$15.45	\$15.20
Black Beauty	58	6-8" glossy dark green, standard O.P.	\$3.50	\$6.00	\$10.00	\$9.75
Early Prolific Straightneck	50	6" pale yellow , club shaped	\$3.55	\$6.05	\$10.05	\$9.80
Early Summer Crookneck	50	5-6" bright yellow , bulb end w/curve neck	\$3.70	\$6.35	\$10.55	\$10.30
Saffron (Straightneck)	42	6" yellow straightneck, less warty	\$8.45	\$14.45	\$24.05	\$23.80
Zucchini - Grey	61	5-7" grey-green w/cream mottling	\$3.20	\$5.45	\$9.05	\$8.80
Zucchini - Round	52	3-4" mottled green, for stuffing	\$3.35	\$5.70	\$9.50	\$9.25

TOMATO, HYBRID

(approx. 11,000 seeds per oz.)

PRICE PER THOUSAND (M)

	DAYS	DESCRIPTION	500	1M	5M	25M	
Beefmaster	80	12+ oz., oblate, gd disease res., indet.	\$17.10	\$27.55	\$24.54	\$22.79	
Better Boy	70	12-16 oz, deep globe, VFN, popular indet.	\$17.40	\$28.05	\$25.02	\$23.27	
Big Beef	AAS	70	12 oz, exc. yields, firm & delicious, indet.	\$21.25	\$34.25	\$31.24	\$29.49
Big Boy	78	12-16 oz, deep globe, strong indet.	\$16.75	\$27.05	\$24.04	\$22.29	
Biltmore	80	very large smooth determinate, continuous set	\$47.15	\$78.60	\$75.58	\$73.83	
Carolina Gold	80	10 oz, yellow , crack tolerant, det.	\$34.15	\$55.09	\$52.09	\$50.34	
Celebrity	AAS	70	7 oz, deep oblate, VFNT, flavorful, det.	\$20.70	\$33.40	\$30.39	\$28.64
Early Girl	52	4-6 oz, one of the earliest, good flavor, indet.	\$14.60	\$23.50	\$20.51	\$18.76	
Florida 47	75	very large & firm, gd quality, gd. dis. res., det.	\$45.85	\$76.45	\$73.43	\$71.68	
Florida 91	80	xtra large, set in heat, firm, gd. dis. res.,UG,det.	\$49.30	\$82.15	\$79.16	\$77.41	
House Tough Boy	62	early-mid 10 oz pink, high sugar, exc flavor	\$94.50	\$152.45	\$149.45	\$147.70	
Husky Red	67	5-7 oz., high yields, dwarf indeterminate	\$21.35	\$34.45	\$31.42	\$29.67	
Jet Star	72	res. to cracks or scars, vig. comp. vines, indet.	\$17.40	\$28.00	\$25.02	\$23.27	
Lemon Boy	72	7 oz., yellow , mild, vigorous, indet.	\$22.40	\$36.15	\$33.13	\$31.38	
Mountain Fresh Plus - Pellet	75	pelleted , 9 oz, globe, great flavor, dis. res.	\$34.80	\$56.10	\$53.10	\$51.35	
Mountain Fresh Plus	75	9 oz, globe, great flavor, dis. res., det.	\$34.85	\$56.20	\$53.17	\$51.42	
Mountain Merit	75	9 oz, exc. dis. pkg.,early & late blight res., det	\$59.80	\$96.40	\$93.41	\$91.66	
Mountain Spring	70	10-12 oz, oblate, br.red, hi. yield, dis. res, det.	\$27.95	\$45.05	\$42.05	\$40.30	
Phoenix	78	11 oz, globe, hi quality, heat set, uni color, det	\$50.00	\$83.35	\$80.34	\$78.59	
Red Rave	77	9 oz, firm & flavoful, early & late blight res, det	\$40.35	\$65.10	\$62.09	\$60.34	
Sunbrite	73	10 oz, deep. large globe, exc. dis. res., det.	\$27.70	\$44.65	\$41.65	\$39.90	
Sunrise	69	lg globe, uniform color & firmness, det.	\$40.90	\$66.00	\$62.97	\$61.22	
Sunshine	66	lg, smth & firm, compact, exc.dis. res., det.UG	\$38.70	\$62.40	\$59.39	\$57.64	
Sunstart	66	8 oz, deep globe, concentrated early set, det.	\$37.45	\$60.40	\$57.39	\$55.64	
SV7631	73	10 oz, firm strong plant & fruit set, gd dis resdet	\$47.85	\$79.75	\$76.75	\$75.00	

TOMATO, HYBRID - small fruited

(approx. 11,000 sds per oz.)

PRICE PER THOUSAND (M)

		DAYS	DESCRIPTION	500	1M	5M	25M
Picus	(Roma)	75	large uniform & firm, does well in heat	\$33.85	\$54.60	\$51.57	\$49.82
Supremo	NEW (Roma)	68	extra large fruit, compact plant,dis res, det	\$29.65	\$47.80	\$44.80	\$43.05
Braveheart	NEW (Cherry)	65	1/2 oz, exc. shelf life & crack res., heavy set	\$19.45	\$31.35	\$28.35	\$26.60
Husky Cherry Red	(Cherry)	65	1 oz, dwarf indeterminate, very sweet	\$17.50	\$28.25	\$25.24	\$23.49
Sungold	(Cherry)	57	tangerine-orge , sweet intense fruity flavor	\$35.05	\$56.55	\$53.57	\$51.82
Sunsugar	(Cherry)	62	<1oz, orange , hi sugar, fruity overtone, indet	\$26.40	\$42.55	\$39.54	\$37.79
Super Sweet 100	(Cherry)	65	<1 oz., imp.Sweet 100, dis. res.VF, indet.	\$19.30	\$31.15	\$28.14	\$26.39

	100	250	500	1M
--	-----	-----	-----	----

Agrisret 8279 (Tami G) (Grape)	75	1 oz, oblong supersweet, crack tol., indet	\$12.75	\$23.55	\$40.60	\$70.00
Bellini (Cocktail) NEW	65	1.5-2oz orange , firm & crack res., indet, tasty	\$33.65	\$62.35	\$107.50	\$185.35
Cupid (Grape)	75	1.5" oblong, very sweet & vigorous,gd dis res.	\$24.00	\$44.50	\$76.70	\$132.25
Mountain Magic (Cocktail)	70	2 oz, very swt, crack & blight res, indet	\$34.65	\$64.20	\$110.65	\$190.80
Plum Regal (Roma)	77	4 oz, exc. flavor, early & late blight resist., det	\$17.20	\$31.85	\$54.90	\$94.65
Sweet Treats (Cherry) NEW	66	1 oz unique pink,delicious, crack resist., indet	\$37.25	\$69.00	\$119.00	\$205.15

TOMATO, HEIRLOOM

		DAYS	DESCRIPTION	1/2 oz	1 oz	4 oz	8 oz
Brandywine (Pink)		85	10-16 oz, pink, the standard for flavor	\$12.10	\$20.15	\$60.40	\$112.75
Cherokee Purple		80	10-12 oz, burgundy, deliciously sweet	\$12.10	\$20.15	\$60.40	\$112.75
Green Zebra		75	3 oz, yel-grn w/dk grn stripes, sweet & tangy	\$12.10	\$20.15	\$60.40	\$112.75
Heirloom Blend		80-100	an assortment of popular varieties	\$12.10	\$20.15	\$60.40	\$112.75
Old German		75	16 oz, yellow w/orange center, very sweet	\$12.10	\$20.15	\$60.40	\$112.75

TOMATO, Open Pol.- (cont.)(approx. 11,000 seeds per oz.)

	DAYS	DESCRIPTION	1/4 oz	1/2 oz	1 oz	4 oz	8 oz
Hyb.Chef's Choice Orange	75	NEW , heirloom taste,quality,indet.	\$28.80	\$48.00	\$80.00	\$240.00	\$448.00
Beefsteak	90	12 oz. oblate, meaty, indeterminate		\$3.25	\$5.00	\$16.70	\$32.50
Delicious	77	16+ oz., deep oblate, indeterminate		\$4.60	\$7.10	\$23.60	\$46.00
Flora-Dade	77	5 oz deep globe, jointless, determinate		\$4.10	\$6.30	\$21.05	\$41.00
Ground Cherry	75	Husk Cherry gd for pies & preserves, sweet		\$7.05	\$11.70	\$43.35	\$71.50
Red Cherry Large	78	1 oz. deep globe, exc. yield, large indet.		\$4.45	\$6.85	\$22.80	\$44.40
Roma Long	76	5 oz, pear, VF, determinate		\$3.50	\$5.35	\$17.80	\$34.70
Rutgers S	75	8 oz, globe, VF, indeterminate		\$3.35	\$5.20	\$17.25	\$33.60
Tomatillo Verde	95	lime green in papery hull, green husk		\$6.95	\$10.80	\$40.00	\$72.00
Toma Verde	70	lime green to pale yellow, not pithy		\$6.05	\$9.75	\$32.45	\$58.40
Tumbler (Cherry)	55	1.25"very sweet, graceful cascading habit		\$16.90	\$28.15	\$97.05	\$187.40
Yellow Pear	78	1 oz. pear, waxy-yellow , mild flavor, indet.		\$5.40	\$8.70	\$29.05	\$52.30
Yellow Plum	78	1 oz. plum, lemon-yellow , sweet flavor, indet.		\$5.40	\$8.70	\$29.05	\$52.30

TURNIP

(approx. 10,000 seeds per oz.)

	DAYS	DESCRIPTION	4 oz	1/2 lb	1 lb	@5 lb	@25 lb
Hyb. Just Right AAS	40	uniform, white, 5" semi-globe	\$35.70	\$65.45	\$119.00	\$118.00	\$115.50
Purple Top White Globe	50	all-purpose 5" globe, white top, 1/3 purple		\$2.30	\$3.50	\$3.25	\$3.00
Seven Tops (greens)	45	only for greens, 16-22" dk green cutleaf top		\$2.30	\$3.50	\$3.25	\$3.00
Shogoin (greens)	35	primarily for greens, 20" light green top		\$2.35	\$3.65	\$3.40	\$3.15
White Egg	50	3-4" egg shape, sweet and tender		\$2.30	\$3.50	\$3.25	\$3.00

WATERMELON, Open Pol.

(approx. 200-300 seeds per oz.)

	DAYS	FLESH	LBS.	DESCRIPTION	4 oz	1/2 lb	1 lb	@5 lb
Allsweet	90	br.red	25-30	18x7" tough, striped rind	\$6.30	\$11.30	\$18.85	\$18.35
Black Diamond	95	br.red	30-40	16x18" rnd, firm, dark green	\$4.05	\$7.25	\$12.10	\$11.85
Charleston Grey 133	85	br.red	20-30	10x24" oblong, grey-green	\$4.25	\$7.60	\$12.65	\$12.40
Crimson Sweet	85	dp.red	25	10x12" rnd, sweet, striped	\$5.60	\$10.05	\$16.75	\$16.50
Jubilee	95	br.red	25-30	13x24" elong., dark gr.stripe	\$4.20	\$7.55	\$12.60	\$12.35
Mickylee	75	br.red	8-15	round, firm, flavorful, grey	\$24.00	\$43.20	\$72.00	\$71.50
Sugar Baby	73	dp.red	10	8x8" round, icebox	\$3.90	\$7.05	\$11.75	\$11.50

POLLINATOR

					1 25	250	500	1000
Ace NEW	extended	pollination period	exc	source of pollination	\$26.45	\$46.35	\$78.70	\$140.50
Sidekick	extended	pollination period	male	flowers attracts bees	\$29.05	\$50.95	\$86.45	\$154.35

WATERMELON, HYB. (TRIPLOID - SEEDLESS)

	DAYS	FLESH	LBS.	DESCRIPTION	1 25 seeds	250 seeds	500 seeds	1000 seeds
Cooperstown	85	br.red	15-18	crisp Crimson, good sugars	\$33.75	\$59.20	\$100.45	\$179.40
Joy Ride NEW	85	red	18	very sweet & vigorous	\$44.75	\$78.50	\$133.15	\$237.80
Millenium	75	dp red	14-16	Sugar Baby type, dk grn	\$53.95	\$94.65	\$157.75	\$286.85
Ruby	85	br. red	13-15	great taste & sales appeal	\$48.05	\$84.30	\$140.45	\$255.40
Summer Breeze NEW	85	red	16	very sweet, blocky,disea res	\$44.50	\$78.10	\$132.50	\$236.65
SV0241WA	85	dp red	15	oblong,very firm & sw.,yields	\$41.00	\$72.00	\$122.15	\$218.10
Wayfarer NEW	85	red	13-18	Sugar Baby sweet & vigor	\$56.50	\$99.00	\$165.00	\$300.00
Wrigley	85	dk.red	16-20	oval, exc, sugars & firmness	\$33.00	\$57.85	\$98.15	\$175.30
Yellow Buttercup NEW	90	yellow	14-16	oval, high yields,dense crisp	\$56.00	\$98.30	\$163.85	\$297.90

**Triplings are commonly called "seedless" but, most are thin, whitish, edible structures, there may be a few normal-appearing seeds. Triplings do NOT produce sufficient pollen for normal pollination, a normal seeded variety must be planted to supply the necessary pollen. They also require HIGHER soil temps and OPTIMUM moisture.

WATERMELON FRUIT BLOTCH DISEASE - Watermelon seed will be sent only after the proper "Watermelon Notice" has been signed and returned to JORDAN SEEDS, INC. Some suppliers require their own form to be signed. "Notice" is on order form. Please sign.

WATERMELON, HYBRID

(approx. 200-300 seeds per oz.)

PRICE PER THOUSAND (M)

	DAYS	FLESH	LBS.	DESCRIPTION	1/2M	1M	5M	10M
Pata Negra (icebox)	73	br.red	8-10	dk green, Sugar Baby type	\$49.60	\$82.65	\$79.62	\$78.62
Royal Star	84	br.red	21-26	9x14", crisp, vigor, stripes	\$34.55	\$57.55	\$54.55	\$53.55
Royal Sweet NEW	85	br.red	20-24	oblong Crimson Sweet, vigor	\$38.60	\$64.30	\$61.29	\$60.29
Sangria	87	br.red	22-26	elongat., stripes, Allsweet	\$50.45	\$82.65	\$79.67	\$78.67
Starbrite	85	pk-red	20-25	crisp flesh, res.-Fus.& Anth.	\$34.55	\$57.55	\$54.55	\$53.55
Stargazer	85	br.red	24-28	exc. flavor Allsweet type	\$42.05	\$70.10	\$67.11	\$66.11
Sweet Favorite AAS	80	br.red	25	oblong, high sugar, stripes	\$28.70	\$47.00	\$44.02	\$43.02
Tiger Baby (icebox)	75	pk-red	8-10	sweet, dense, stripe, F1	\$49.35	\$82.25	\$79.25	\$78.25
Yellow Doll	65	yellow	6	7x7"oval, ex. sweet, stripes	\$52.30	\$87.20	\$84.18	\$83.18

ORIENTAL VEGETABLES

			PRICE PER THOUSAND (M)			
DESCRIPTION			1 M	10 M	50 M	100 M
Hyb. Ch. Cabbage, Blues	57	4-5 lbs Napa, slow bolting, exc. dis. res.	\$3.45	\$2.95	\$2.20	\$1.95
Hyb. Ch. Cabb., Green Rocket	65	4.5# head, 14x5" cylindrical, good shelf life	\$3.20	\$2.68	\$1.93	\$1.68
Hyb. Ch. Cabbage, Jazz	63	5-6 lbs, slow bolt, yellow interior	\$3.45	\$2.94	\$2.19	\$1.94
Hyb. Pak Cho i, Joi Choi	50	white stem, shiny, green leaf, slow bolt	\$4.25	\$3.49	\$3.09	\$2.75
Hyb. Pak Cho i, Li Ren Choi	40	NEW - green pak choi shape in early stage	\$3.80	\$3.12	\$2.77	\$2.46
Hyb. Pak Cho i, Mei Quing Choi	40	green-petioled, heat & cold tolerant	\$4.25	\$3.49	\$3.09	\$2.75
Hyb. Radish, April Cross	60	16x2.5" white, slow to bolt, slow to pithy	\$8.95	\$8.36	\$7.96	\$7.84
			1 oz	4 oz	1/2 lb	1 lb
Bean, Yard Long		15" light green pod, Asparagus flavor, pole	\$3.60	\$8.00	\$12.30	\$20.45
Bitter Gourd (Spindle or Round)		6-9x3" warty, edible young, heat tolerant	\$18.20	\$52.00	\$86.65	\$152.05
Ch. Cabbage, Michihili		18x4" cylindrical, dk green foliage	\$1.25	\$3.20	\$4.90	\$7.50
Garland, Serrated Small Leaved		8" high, dark green, aromatic leaves, vigorous	\$5.55	\$15.90	\$26.50	\$44.15
Gourd, Calabash, Round-Bushel		12x12", 45#, edible when young, easy to grow	\$7.85	\$19.65	\$32.75	\$54.60
Gourd, Cucuzzi (Italian Edible)		45x4.5" mature, edible when young-squash	\$7.20	\$18.00	\$30.00	\$50.00
Gourd, Dish Cloth (Luffa) Bl. Seed		10x3", after curring, peel outer for sponge	\$5.40	\$13.50	\$22.45	\$37.45
Gourd, Wax - Oblong		24x12", thick flesh used for cook., soup, 20#	\$12.45	\$35.55	\$59.20	\$98.70
Malabar - Green NEW		spinach, glossy thick deep green, vining plant	\$6.80	\$20.35	\$31.30	\$56.90
Malabar - Red NEW	85	dk gr leaves, dp red stems. climbing vines	\$7.70	\$23.00	\$35.40	\$64.35
Mustard, Red Giant		dp purple-red, large savoy leaves, thick, tender	\$1.80	\$5.15	\$7.90	\$13.20
Mustard Spinach, Tendergreen		very early, smooth leaves, glossy green, large	\$1.00	\$2.55	\$3.80	\$5.75
Pak Choi, Hyb. Green Fortune		6x8" heads, sweet dark gr leaves, compact	\$18.90	\$53.95	\$83.00	\$138.35
Pak Choi, Green Stalked		40 day, spring to autumn planting	\$5.90	\$16.85	\$25.95	\$43.20
Pak Choi, White Stalked		very vigorous & prolific	\$5.90	\$16.85	\$25.95	\$43.20
Radish, Minowase S. Cross #3 Hyb.		16x2.5" white, heat tolerant, Daikon	\$18.00	\$51.40	\$83.10	\$151.10
Radish, Mino Early Long White		15" tapered white, crispy, tender, mild	\$9.05	\$25.80	\$44.20	\$73.65
Radish, Red Meat		3" globe, red flesh, salad-pickling-cooking	\$9.50	\$27.15	\$46.55	\$77.60
Soybean, BeSweet 292 Edible		85 day, 900# yield, top commercial check variety	\$1.40	\$3.50	\$5.85	\$9.75
Tatsoi		thick dk green, tender-good taste, high vitamin	\$1.80	\$5.15	\$8.60	\$14.35
Tsoi-Sim (Green Stalked)		eat flowers & young plants, harvest in 40 days	\$6.00	\$17.15	\$28.55	\$47.60

			PRICE PER THOUSAND (M)			
DESCRIPTION			500	1 M	5 M	10 M
Kale - Chidori Red (flowering) A		deep purple w/ red center 10-14" high	\$10.20	\$17.00	\$12.00	\$9.00
Kale - Kamome Pink (flowering) A		fringed pink center, green foliage 8-12" high	\$11.10	\$18.45	\$13.45	\$10.45
Kale - Crane Bicolor (flowering) A		white w/ rose center, 16-20" hi compact, cutflow	\$12.45	\$20.70	\$15.70	\$12.70
Sunflower - Sunrich, Gold A		cutflow, bright gr center, gold petals 4-6" bloom	\$16.45	\$27.45	\$22.43	\$19.43
Sunflower - Sunrich, Orange A		cutflower, black center, gold petals 4-6" bloom	\$16.45	\$27.45	\$22.43	\$19.43
Sunflower - Sunny Smile A		bedding, black center, gold petals 4-6" blm, 6-20"	\$20.20	\$33.65	\$28.62	\$25.62

			PRICE PER THOUSAND (M)			
Per./ Ann.	DESCRIPTION		1/2 oz	1 oz	4 oz	1/2 lb
	A	Alyssum - Carpet of Snow	\$4.00	\$6.10	\$17.35	\$26.70
	A	Annual Flower Mix	\$2.85	\$3.85	\$9.65	\$14.85
	A	Aster - Powder Puff Mix	\$3.50	\$5.35	\$15.20	\$23.40
	A	Bach. But. - Tall Mix	\$1.30	\$1.80	\$4.50	\$6.90
	A	Bach. But. - Polka Dot Mix	\$1.35	\$1.85	\$4.65	\$7.15
	A	Bells of Ireland	\$4.95	\$7.50	\$21.45	\$35.75
	A	Black Eyed Susan	\$3.20	\$4.60	\$11.45	\$17.60
	A	Calendula - Fancy Mix	\$2.20	\$3.00	\$7.50	\$11.55
	A	Chrysanthemum - Shasta Daisy	\$2.50	\$3.75	\$10.75	\$16.50
	A	Cosmos - Bright Lights Mix	\$2.30	\$3.15	\$7.90	\$12.15
	A	Cosmos - Sensation Mix	\$2.10	\$2.85	\$7.15	\$11.00
	A	Cutflower Mixture	\$3.00	\$4.10	\$10.20	\$15.70
	P	Echinacea Purpurea	\$3.15	\$4.50	\$11.30	\$17.35
	A	Gypsophila - Baby's Breath	\$1.00	\$1.35	\$3.40	\$5.20

(cont.)

FLOWER SEED		Per./ Ann. - (cont.)	DESCRIPTION	1/2 oz	1 oz	4 oz	1/2 lb
Marigold - Cracker Jack	A		4" bloom, gold/orange/yellow mix, 36-40" tall	\$1.95	\$2.65	\$6.60	\$11.00
Marigold - Sparky Mix	A		mix of bi-colors, french dwarf, 15-18" tall	\$2.90	\$4.00	\$9.90	\$16.50
Morn. Glory-Clarks Bl. Heaven	A		clear blue flowers on 12' climbing vine	\$1.45	\$2.00	\$4.95	\$8.25
Morn. Glory-White Moonflower	A		white flower on 14' climbing vine	\$1.95	\$2.65	\$6.60	\$11.00
Morn. Glory - Mix	A		white, pink & purple mixture on long vine	\$1.55	\$2.15	\$5.30	\$8.80
Nasturtium - Dwarf Jewel Mix	A		rainbow of brilliant colors, hanging bask. or cont.	\$1.35	\$1.85	\$4.65	\$7.70
Poppy - California Orange	A		12" fluted blossom, bushy, cutflower & borders	\$2.95	\$4.25	\$10.55	\$17.60
Snapdragon - Mix	A		bright colored ruffles, exc. cut flower, 24-30"	\$5.90	\$8.90	\$22.30	\$37.15
Statice Mix	A		30" long strong stems, about 6 colors	\$10.55	\$16.00	\$45.70	\$76.15
Strawflower - Bouquet Mix	A		Semi-Dwarf/red, bronze, yel, pink, white, 2.5", 2'	\$5.85	\$8.85	\$25.20	\$38.80
Sunflower - Autumn Beauty	A		5' mix of yellow, bronze & purple, 8" blooms	\$1.65	\$2.25	\$5.55	\$8.55
Sunflower - Black Oil NEW	A		shoots-nutty 7-21 days, 90 days 6-8' & 8-12"head		\$1.15	\$2.90	\$4.15
Sunflower - Black Russian	A		15-18" black seeded heads, up to 12' tall		\$1.40	\$3.50	\$4.95
Sunflower - Dwarf Sunspot	A		1-2' tall, yellow 10" bloom, blooms for 5 weeks	\$2.30	\$3.15	\$7.90	\$12.10
Sunflower - Giant Mammoth	A		large bloom, striped seed, tall		\$1.40	\$3.50	\$4.95
Sunflower - Incredible Dwarf	A		full 10" yellow flower, 1-2' tall, well in 8-10"pots	\$3.00	\$4.10	\$10.20	\$15.70
Sunflower - Indian Blanket	A		5" darker range of colors than Autumn Beauty	\$3.00	\$4.10	\$10.20	\$15.70
Sunflower - Lemon Queen	A		5-6' tall, lemon yellow 10" bloom, good cut flower	\$3.00	\$4.10	\$10.20	\$15.70
Sunflower - Red Sun	A		lg. red-orange with dark centers on sturdy 6' stem	\$3.00	\$4.10	\$10.20	\$15.70
Sunflower - Skyscraper	A		12' tall, bright yellow 14"+ blooms, strong stalk		\$1.40	\$3.50	\$4.95
Sunflower - Teddy Bear Dwarf	A		2' tall, 6" double golden blooms, very compact	\$3.00	\$4.10	\$10.20	\$15.70
Sunflower - Velvet Queen	A		5-8' tall, velvety crimson 10" bloom, exc. cut flower	\$2.40	\$3.30	\$8.25	\$12.65
Sweet Pea - Royal Family Mix	A		huge flowers (5-7 per stem), spring, 5-7' vines	\$3.15	\$4.30	\$10.75	\$16.50
Sweet William - Tall Double Mix			Biennial, 20-24" tall, colorful, fragrant doubles	\$3.40	\$4.65	\$11.65	\$17.90
Wildflower - Midwest Mix	A/P		15 varieties ideal for MW meadows, 6# /acre	\$3.05	\$4.15	\$10.40	\$15.95
Wildflower - Perennial Mix	P		many varieties of mixed perennial wildflowers	\$3.65	\$5.00	\$12.50	\$19.25
Zinnia - California Giant Mix	A		large 5" cactus flowered blooms, 24" ht.	\$2.95	\$4.00	\$10.00	\$15.40
Zinnia - State Fair Mix	A		6" semi double blooms, lav. pink prpl. rose scarlet	\$3.75	\$5.65	\$16.10	\$24.75

WINTER RYE - Erosion Control, Increase Organic Matter, Green Manure, Suppresses Weeds 50# BAG \$18.00

SELF-SEALING SEED ENVELOPES - (WHITE KRAFT)

<u>Number</u>	<u>Size</u>	<u>Price per 500 BOX</u>
# 7	3.25" x 4.75"	\$33.45
# 8	3.625"x 5.625"	\$40.75
# 11	4.625"x 6.75"	\$51.50

THRIFTEE TAGS

	<u>250 / .5 lb</u>	<u>1000 / 2.5 lbs</u>	<u>2000 / 5 lbs</u>
5 inch tags connected on a roll.	\$9.95	\$33.15	\$54.20
COLORS - LAVENDER, LIME GREEN, ORANGE, PINK, RED, TAN, TURQUOISE, WHITE, YELLOW			

MARKER PENS - PERMANENT, FINE POINT \$1.00

SOILESS MIX (2.8 cubic feet bag)

METRO MIX 360 - Exceptional for bedding plants, seed starting, and propagation medium for cuttings. (≈45 lb. bag)

METRO MIX 510 LL - A heavier mix than 360, more suited for mid to large container plants. (≈55 lb. bag)

Contents: Canadian sphagnum peat moss, domestic horticultural vermiculite, processed bark ash and washed granite sand, starter nutrient charge, dolomitic limestone, wetting agent.

	Bags	<u>1-9</u>	<u>10-44</u>	<u>45-180</u>	<u>181- +</u>	Bags / Pallet
Metro 360	@	\$15.70	\$15.30	\$14.70	Quote	45
	Bags	<u>1-9</u>	<u>10-39</u>	<u>40-160</u>	<u>161- +</u>	
Metro 510 LL	@	\$14.00	\$13.60	\$13.00	Quote	40

SEEDING TRAYS

		Case	Individually
PRO TRAYS (round) #50, #72,	100 per case	\$50.00	\$0.85
PRO TRAYS (round) #98	100 per case	\$66.00	\$1.05
PLUG (square) #50, #72, #98, #128, #162	100 per case	\$87.00	\$1.50
PLUG (square) #200, #288.....	50 per case	\$43.00	\$1.50
INSERTS 804, 806, 1004, 1201, 1204, 1206, 1801, 1804	100 per case	\$38.00	
Liner #18	100 per case	\$46.00	\$0.95
Liner #32, 24	100 per case	\$57.00	\$1.00
1020 FLATS (with holes) or No Holes.....	100 per case	\$66.00	\$1.10
1020- R18 FLATS for SVD 350 pots	100 per case	\$74.00	\$1.20
1020-SPT-450-15 FLATS for SVD 450 pots.....	50 per case	\$51.25	\$1.50
CLEAR DOME COVER for 1020 flats	50 per case	\$69.00	\$1.90
WEB FLATS.....	50 per case	\$26.00	\$0.95
SVD 3503.5" pots.....	450 per case	\$28.00	\$0.11
SVD 4504.5" pots	375 per case	\$37.00	\$0.19
ELITE 300 NURSERY.....6.5" x 7" pots.....	60 per case	\$14.00	\$0.40
RP-SR-2 QT ...6"x5.8" pots.....	200 per case	\$28.25	\$0.24

SOLUBLE FERTILIZERS

(25 LB. BAGS)

PLANT MARVEL 20-20-20.....	General Purpose.....	\$28.50
PLANT MARVEL 12-45-10.....	Super Start.....	\$37.00
PLANT MARVEL 9-15-30.....	K-Blast..... Increase fruit size & shelf life.....	\$34.00
PLANT MARVEL 17-5-17.....	Cal-Mag Special.....High Micronutrients.....	\$28.50
PLANT MARVEL 14-5-22.....	Cal-Mag.....	\$29.50
PLANT MARVEL 18-6-18.....	Mag-Iron Special.....	\$30.00
PETERS - Excel. 21-5-20.....	All Purpose.....	\$39.85

SMALLER CONTAINERS

PLANT MARVEL 20-20-20.....	General Purpose.....	5 LB BAG	\$11.75
JACKS.....	20-20-20..... General Purpose.....	1.5 LB Tub	\$ 5.00
PLANT MARVEL 12-31-14.....	Plant Starter.....	5 LB BAG	\$11.75
Mycorrhizae.....	Blend of Endo & Ecto Spores..(increased beneficial bacteria & fungi)	1 LB Pouch	\$15.25

LIQUID FERTILIZERS

Age Old Organic .3-.25-.15	Concentrated Kelp	1 QT Liquid
Age Old Organic 12-6-6	Concentrated Grow	1 QT Liquid
Age Old Organic 5-10-5	Concentrated Bloom	1 QT Liquid
Age Old Organic 3-3-2	Fish & Seaweed	1 QT Liquid
Promote (natural) 4-0-1	improves biological activity & water movement..	1 QT Liquid
Ca Libur 20.....	help prevent blossom end rot & calcium deficiencies	1 QT Liquid

ASK PRICE

GRANULAR FERTILIZER NEW

50 LB BAGS

9-23-30	20-10-10	19-19-19	46-0-0	21-0-0-24	ESN 44-0-0
STARTER	GENERAL + NITROGEN	GENERAL PURPOSE	UREA	AMMONIA SULPHATE	SLOW RELEASE NITROGEN
\$17.25	\$15.00	\$17.00	\$15.75	\$15.00	\$18.25

PLASTIC CONTAINERS

			1 -19 CAPACITY PIECES	20 to PALLET	1-2 PALLET	3-9 PALLET	QTY. PALLET	LBS. EACH
PRODUCE CRATE								
- LARGE (23.6"x15.8"x14.3")	VENTED	1.7 BU	\$22.90	\$21.40	\$19.95	\$19.20	85	5.8
- LARGE	SOLID	1.7 BU	\$23.00	\$21.50	\$20.00	\$19.30	85	6.6
- SMALL (23.6"x15.8"x8.5")	VENTED	.94 BU	\$13.85	\$13.00	\$12.15	\$11.70	150	3.4
- SMALL	SOLID	.94 BU	\$13.95	\$13.10	\$12.25	\$11.80	150	4.0
- MEDIUM (23.6"x15.8"x11.8)	VENTED	1.4 BU	\$17.60	\$16.50	\$15.40	\$14.85	100	4.5
- MEDIUM	SOLID	1.4 BU	\$17.70	\$16.60	\$15.50	\$14.95	100	4.9
FIELD CRATE								
(22"x14.5"x14.5")	VENTED	1.4 BU	\$18.90	\$17.70	\$16.50	\$15.90	120	5.0
GENERAL PURPOSE								
(23.5"x18.5"x12.25")	VENTED	1.75 BU	\$19.90	\$18.65	\$17.40	\$16.75	80	5.8

Dimensional Weight & \$10.85 charge if shipping U.P.S.

ROGUE GARDEN HOE - SUPERIOR QUALITY AND SHARPNESS

54" or 60" handles

\$26.50.....12" handle



575G 5.75" wide, best seller
\$29.50



60G 6" wide, for fine weeding
\$29.50



70G 7" wide, for heavier hoe
\$29.50



40G 4" wide, for close spacing
\$29.50



00G 3.5" at top, triangle hoe
\$29.50



60C 6" Colinear Hoe
80C 8" Colinear Hoe
\$29.50



70NB **Cultivator Rake** - \$41.50
7" wide, 3.5" long tines



100CR **Cultivator Rake** - \$41.50
10" wide, 3.5" long tines



35Y **Strawberry Hoe** - \$33.50
digging and cultivate

Field Hoers.....toughest, heaviest



40F 4" wide, heavy duty field hoe
\$30.50



55F 5.5" wide, favorite heavy hoe
(not shown)
\$30.50



70F 7" wide, cuts up to 1" stalks
\$30.50

Scuffle Hoers.....push or pull, sharp on all sides, undercuts weeds.

25S 2.5" wide (not shown)

40S 4" wide (not shown)

60S 6" wide (not shown)

80S 8" wide

110S 11" wide (not shown)

\$29.50



40X 4" wide, rocky areas - \$33.50



70SC 7" **Scraper** - \$30.50

100SC 10" **Scraper** - \$30.50



65VW 6.5" **Multi Use** - \$33.50

DRIP IRRIGATION

<u>DRIP TAPE</u>	<u># FEET PER REEL</u>	<u>SPACINGS AVAILABLE</u>	<u>PRICE PER REEL</u>	<u>WEIGHT</u>
504 (4 MIL) 5/8" I.D.	13,000	HIGH OR LOW FLOW 8", 12", 16"	\$183.50	62#
506 (6 MIL) 5/8" I.D.	10,000	8", 12", 16"	\$162.50	70#
508 (8 MIL) 5/8" I.D.	7,500 1,000	4", 8", 12", 16" 8", 12"	\$149.00 \$28.80	65# 12#
510 (10 MIL) 5/8" I.D.	6,000	8", 12", 16"	\$149.00	65#
515 (15 MIL) 5/8" I.D.	4,000 1,000 1,000	8", 12", 16", 24" 8", 12" HEADER TAPE HEADER TAPE	\$145.25 \$40.50 \$40.00 \$0.15 / FT	65# 18# 18#

SPECIALTY FITTINGS WEIGHT PRICE

T-TAPE to Layflat	1 oz	\$1.07	Pressure Gauge, Pocket	\$17.90
T-TAPE to Layflat / Valve LH		\$2.88	Pressure Gauge, 0-100	\$18.25
T-TAPE to Layflat Plug	1 oz	\$1.00	Shrader Valve	\$2.45
T-TAPE to T-TAPE	1 oz	\$0.52	Anti Siphon 3/4"	\$2.65
T-TAPE to .25" Barb	1 oz	\$0.50	Brass Siphon Mixer	\$28.65
T-TAPE to .4" Barb	1 oz	\$0.50	Pressure Reg., 10 PSI .5-5gpm	\$13.25
T-TAPE to .4" Barb / Valve TP	2 oz	\$2.30	Pressure Reg., 10 PSI .5-15gpm	\$13.50
T-TAPE to .4" Barb / Valve & Nut LH		\$2.00	Pressure Reg., 10 PSI 4-16gpm	\$16.70
.4" Barb Tool (ejector type)		\$34.10	Pressure Reg., 10 PSI 10-32gpm	\$35.40
.4" Barb Tool (brown handle)		\$11.40	Pressure Reg., 12 PSI .1-8gpm	\$13.25
.25" Barb Tool (yellow handle)		\$2.45		
Hex Tee Handle 5/16" or 3/8"		\$6.40	Ball Valves (PVC) -	
Tool Punch for Layflat	2 lb.	\$50.00	3/4" - \$2.55	1" - \$3.90
T-TAPE to T-TAPE / Valve TP	2 oz	\$1.75	1-1/2" - \$6.60	2" - \$9.90
T-TAPE to T-TAPE / Valve LH		\$1.95		
T-TAPE Tee	1 oz	\$1.95	Filters	
T-TAPE Elbow	1 oz	\$1.75	3/4"	\$28.60
T-TAPE Drain Valve	1 oz	\$1.80	1"	\$29.35
T-TAPE to 3/4" F. Hose Swivel	1 oz	\$1.55	1 1/2"	\$235.20
Hook-Up Tube (100 ft)	3 lb.	\$13.10	2"	\$258.70

Fittings for 1-1/2" and 2" Layflat - elbows, tees, plugs, adapters, clamps, etc.

LAYFLAT

	<u>Length of Hose</u>			<u>Full Reel Weight</u>
	<u>100'</u>	<u>200'</u>	<u>300'</u>	
1-1/2" LAYFLAT SUNFLOW	\$48.00	\$82.25	\$103.00	65# /reel
2" LAYFLAT SUNFLOW	\$61.75	\$105.90	\$132.35	68# /reel
2" AQUAFLAT - (light weight layflat)	\$37.00	\$63.00	\$79.00	31#/reel

OVAL HOSE

	<u>150'</u>	<u>450'</u>
1-1/2" TUBE	\$43.00	
2" TUBE		\$127.00

MAZZEI INJECTORS

- a reliable, accurate, and economical method to inject virtually any liquid or gas into a preassurized stream.

INJECTORS - 3/4"	\$62.70	1"	\$105.20	1-1/2"	\$150.60	2"	\$274.70
SUCTION KIT - 3/4"	\$55.20	1"	\$57.40	1-1/2"	\$57.40	2"	\$149.95

ADDITIONAL FITTINGS FOR COMPLETE SET- UP ALSO AVAILABLE

PLASTIC MULCHES

4' to 5' add \$10.85 charge if shipping U.P.S.

Combined Total of Rolls

	<u>Size</u>	<u>1-4 Rolls</u>	<u>5-15 Rolls</u>	<u>16-31 Rolls</u>	<u>Weight</u>
Black Mulch (Embossed)	.9 MIL 3' x 4000'	\$81.50	\$78.50	\$75.25	64#
	.9 MIL 4' x 3000'	\$81.50	\$78.50	\$75.25	64#
	.9 MIL 4' x 4000'	\$108.75	\$104.50	\$100.50	82#
	.9 MIL 5' x 3000'	\$100.00	\$98.00	\$94.00	78#
	1 MIL 3' x 4000'	\$90.75	\$87.25	\$83.75	69#
	1 MIL 4' x 3000'	\$90.75	\$87.25	\$83.75	69#
	1 MIL 4' x 4000'	\$120.75	\$116.25	\$111.50	90#
	1 MIL 5' x 3000'	\$113.25	\$109.00	\$104.50	85#
Clear Mulch (Embossed)	.9 MIL 3' x 4000'	\$93.00	\$89.50	\$86.00	64#
	.9 MIL 4' x 4000'	\$124.00	\$119.25	\$114.50	82#
	.9 MIL 5' x 3000'	\$116.25	\$112.00	\$107.50	78#
	1 MIL 3' x 4000'	\$103.50	\$99.50	\$95.50	69#
	1 MIL 4' x 4000'	\$138.00	\$132.50	\$127.25	90#
	1 MIL 5' x 3000'	\$129.25	\$124.25	\$119.25	85#
Green Thermal Mulch IRT 100 (Embossed)	.9 MIL 3' x 4000'	\$114.00	\$109.50	\$105.25	64#
	.9 MIL 4' x 3000'	\$114.00	\$109.50	\$105.25	64#
	.9 MIL 4' x 4000'	\$152.00	\$146.00	\$140.25	82#
	.9 MIL 5' x 3000'	\$142.50	\$137.00	\$131.50	78#
	1 MIL 3' x 4000'	\$126.50	\$121.75	\$116.75	69#
	1 MIL 4' x 3000'	\$126.50	\$121.75	\$116.75	69#
	1 MIL 4' x 4000'	\$168.75	\$162.25	\$155.75	90#
	1 MIL 5' x 3000'	\$158.25	\$152.25	\$146.00	85#
SMR Red (Embossed)	1 MIL 4' x 3000	\$140.75	\$135.50	\$130.00	69#
BioTELO Biodegradable - Black/Clear	.6 MIL 4' x 4000'	\$208.25	\$200.75	\$193.00	76#
	.6 MIL 4' x 500'	\$67.75	\$65.75	\$61.50	10#
	.6 MIL 4' x 200'	\$33.25	\$32.25	\$30.75	5#
Photodegradable, (Embossed)	Clear 1 MIL 3' x 4000'	PRICES POSTED ON WEBSITE WHEN AVAILABLE			69#
	Clear 1 MIL 4' x 3000'	www.jordanseeds.com			69#
	Clear 1 MIL 4' x 4000'				90#
	Black 1 MIL 3' x 4000'	\$140.75	\$135.50	\$130.00	69#
	Black 1 MIL 4' x 3000'	\$140.75	\$135.50	\$130.00	69#
	Black 1 MIL 4' x 4000'	\$187.75	\$180.50	\$173.25	90#
White on Black (Embossed)	1 MIL 3' x 4000'	\$122.25	\$117.50	\$112.75	78#
	1 MIL 4' x 3000'	\$122.25	\$117.50	\$112.75	78#
Clear Row Cover (Perforated)	1 MIL 6' x 2000'	\$109.75	\$102.00	\$97.25	70#
White Row Cover (Perforated)	1 MIL 6' x 2000'	\$112.25	\$104.25	\$99.50	70#

FLOATING ROW COVERS

Wide Vegetable Row Covers and Strawberry Covers

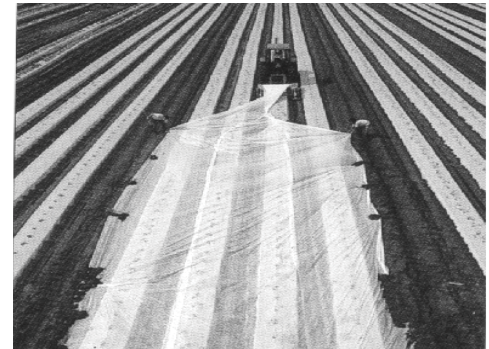
(Pro 17 = 4-5 degrees frost protection, 85% light transmission, pourous to water, self ventilating)
 (Pro 30 = 6-7 degrees frost protection, 75% light transmission, pourous to water, self ventilating)

	Size		Weight	1-4	5-9	10-19
	W	L		Rolls	Rolls	Rolls
PRO 17	60"	250'	10 lbs.	\$29.30	\$27.45	\$25.60
PRO 17	60"	1000'	28 lbs.	\$104.00	\$97.00	\$90.00
PRO 17	72"	250'	11 lbs.	\$34.65	\$32.45	\$30.25
PRO 17	72"	1000'	31 lbs.	\$125.00	\$116.50	\$107.75
PRO 17	83"	250'	13 lbs.	\$43.75	\$41.00	\$38.00
PRO 17	83"	1000'	35 lbs.	\$145.50	\$135.50	\$125.50
PRO 17	11.3'	500'	32 lbs.	\$115.00	\$107.00	\$99.00
PRO 17	11.3'	1000'	64 lbs.	\$232.50	\$217.00	\$201.00
PRO 17	26'	1000'	125 lbs.	\$414.50	\$385.50	\$356.75
PRO 17	31'	500'	75 lbs.	\$251.25	\$234.00	\$216.75
PRO 17	35'	500'	140 lbs.	\$290.00	\$270.00	\$250.00
PRO 17	50'	500'	120 lbs.	\$402.00	\$374.25	\$346.50
PRO 30	83"	1000'	70 lbs.	\$186.50	\$174.00	\$161.50
PRO 30	14'	500'	70 lbs.	\$186.50	\$174.00	\$161.50

Dimensional Weight & \$10.85 charge if shipping U.P.S.

PROTECTION 5 WAYS

- * INSECT PROTECTION - provides a barrier against airborne insects and reduces the need for insecticides.
- * GROWTH ENHANCEMENT - creates a microclimate in which the plant can thrive.
- * SEASON EXTENSION - accelerates yields in spring and extends growing season in the fall.
- * OVERWINTER PROTECTION - reduces desiccation and winter injury, moderates root zone temperatures, and enhances bud initiation in strawberries.
- * FREEZE PROTECTION - reduces damage from periodic spring and fall freezes.



RUBBER BANDS

Item	Per #	Size	Uses	1 lb.	5 lb.	25 lb.
#124 - blue	280	4.5"x1/8"	Cauliflower	\$4.50	\$21.75	\$105.00
#124 - green	280	4.5"x1/8"	Cauliflower	\$4.50	\$21.75	\$105.00
#124 - red	280	4.5"x1/8"	Cauliflower	\$4.50	\$21.75	\$105.00
#124 - white	280	4.5"x1/8"	Cauliflower	\$4.50	\$21.75	\$105.00
#124 - yellow	280	4.5"x1/8"	Cauliflower	\$4.50	\$21.75	\$105.00
#33	720	3.5"x1/8"	Ty/Cauli. & Greens	\$4.50	\$21.75	\$105.00
#63	400	3" x 1/4"	Asparagus, misc.	\$4.50	\$21.75	\$105.00
#32	900	3"x1/8"	Flowers, misc.	\$4.50	\$21.75	\$105.00
#31	1100	2.5"x1/8"	Flowers, misc.	\$4.50	\$21.75	\$105.00
#16	2200	2.5" x 1/16"	Radish, Flowers	\$4.50	\$21.75	\$105.00
#62	520	2.25"x1/4"	Wide variety	\$4.50	\$21.75	\$105.00
#81	300	2"x1/2"	Broccoli	\$4.50	\$21.75	\$105.00
#30	1300	2"x1/8"	Beets, Spinach	\$4.50	\$21.75	\$105.00
#60	600	1.75"x1/4"	Asparagus, Gladiolas	\$4.50	\$21.75	\$105.00
#29	1450	1.75"x1/8"	Asparagus	\$4.50	\$21.75	\$105.00
#12	2900	1.75"x1/16"	Radish	\$4.50	\$21.75	\$105.00
#59	875	1.5"x1/4"	Misc	\$4.50	\$21.75	\$105.00
#10	4300	1.25"x1/16	Cutflowers	\$4.50	\$21.75	\$105.00
#27	2400	1.25"x1/8"	Aspar., Flowers, Misc	\$4.50	\$21.75	\$105.00
#8	7100	7/8"x1/16"	Bunching Onion	\$4.50	\$21.75	\$105.00



BASKETS & TILLS

Use Dimensional Weight if shipping U.P.S.

Item	Item Description	Quantity			
		1-11	1-8 doz.	9 doz.+	Lbs/Doz.
#120	Bushel - Natural.....	\$5.35	\$5.10	\$4.95	32#
#122	Bushel - Natural, with Red & Green Bands	\$5.70	\$5.45	\$5.30	32#
#135	Bushel - Shallow, Natural	\$5.25	\$5.00	\$4.85	15#
#141	1/2 Bu. - Natural.....	\$4.95	\$4.70	\$4.55	20#
#142	1/2 Bu. - Natural, with Red & Green Bands	\$5.30	\$5.05	\$4.90	20#
#157	1/2 Bu. - Shallow, Natural	\$4.90	\$4.65	\$4.50	11#
#400	Peck - Red, with Green Bands.....	\$4.40	\$4.15	\$4.00	12#
#430	Peck - Natural.....	\$4.40	\$4.15	\$4.00	12#
#494	Peck - Natural, with Red & Green Bands	\$4.40	\$4.15	\$4.00	12#
#500	1/2 Peck - Red, with Green Bands.....	\$4.35	\$4.10	\$3.95	8#
#530	1/2 Peck - Natural.....	\$4.35	\$4.10	\$3.95	8#
#594	1/2 Peck - Natural, with Red & Green Bands	\$4.35	\$4.10	\$3.95	8#
#600	1/4 Peck - Red, with Green Bands.....	\$4.30	\$4.05	\$3.90	6#
#630	1/4 Peck - Natural.....	\$4.30	\$4.05	\$3.90	6#
#694	1/4 Peck - Natural, with Red & Green Bands	\$4.30	\$4.05	\$3.90	6#
#700	1/8 Peck - Red, with Green Bands.....	\$4.20	\$3.95	\$3.80	5#
#730	1/8 Peck - Natural.....	\$4.20	\$3.95	\$3.80	5#
#794	1/8 Peck - Natural, with Red & Green Bands	\$4.20	\$3.95	\$3.80	5#
#836A	2 Quart Rectangular (5.25x9x3.5)	\$0.44	\$0.34	\$0.29	4#
#836	1 Quart Rectangular (4x8x2.5)	\$0.41	\$0.31	\$0.26	4#
#831	1 Quart Square (5.5x5.5x3.25")	\$0.36	\$0.26	\$0.21	4#
#830	1 Pint Square (4.5x4.5x2.5")	\$0.34	\$0.24	\$0.19	3#

BERRY CONTAINERS

	ITEM #	#/ CASE	DESCRIPTION
1QT.	(4127)	250	pulp - square
1PT.	(9387)	420	pulp
1/2 PT.	(8278)	600	pulp
1/2 PT. CLAMSHELL	(9232)	576	clear plastic
1 PT. CLAMSHELL	(9759A)	516	clear plastic
1 QT. CLAMSHELL	(9186)	344	clear plastic
1/2 PT. BASE	(4142)	1000	clear plastic
1 PT. BASE	(4140)	1000	clear plastic
1QT. BASE	(4147)	1000	clear plastic
COVER, DOME PT & 1/2 PT	(4141)	1000	use with -4142, 4140
COVER, DOME QT	(4146)	1000	use with - 4147
PICKING TRAY - 6 QT.	(4116)		self locking, pop up hdles,"Strawberries" on sides
PICKING TRAY - 15 lbs	(4134)		self locking, tapered sides, "Farm Fresh" on sides
BERRY FLAT - 12 PT.	(3897)		self locking, "Berries on sides"
BERRY FLAT - 8 QT.	(4139)		self locking, "Strawberries" & wax on 2 sides



**WILL PUT PRICING ON
WEBSITE WHEN AVAILABLE**
www.jordanseeds.com



CARTONS

	(Length x Width x Height)	10-99	100-<pallet	pallet	# per pallet
CABBAGE.....1-3/4 Bushel.....	(23.0"x15.75"x11.4") cascaded, self-locking	\$3.23	\$3.00	\$2.88	276
VEGETABLE.....1-1/9 Bushel.....	(17.9"x12.0"x12.0") cascaded, self-locking	\$1.96	\$1.82	\$1.75	250
VEGETABLE.....3/4 Bushel....	(13.75"x11.0"x11.25") cascaded, self-locking	\$2.09	\$1.95	\$1.81	500
VEGETABLE.....1/2 Bushel.....	(14.25"x10.8"x7.00") cascaded, self-locking	\$1.73	\$1.62	\$1.50	500
VEGETABLE.....5/9 Bushel.....	(14.50"x11.6"x8.1") cascaded, self-locking	\$1.80	\$1.68	\$1.55	500
TOMATO.....20 Lb.....	(18.0"x14.0"x6.0") self-locking, 2 layer	\$1.40	\$1.31	\$1.21	300
DIVIDER - 20 Lb TOMATO BOX	(16.25" x 13.5") 250 / BUNDLE	\$37.50 / 1-3 BUNDLES		\$32.50 / 4+ BUNDLES	
TOMATO.....10 Lb.....	(17.1"x13.1"x3.75") self-locking, 1 layer	\$1.38	\$1.29	\$1.20	250
PUMPKIN BINS....36 in. high.....	graphics	\$18.25	\$16.90	\$16.20	42

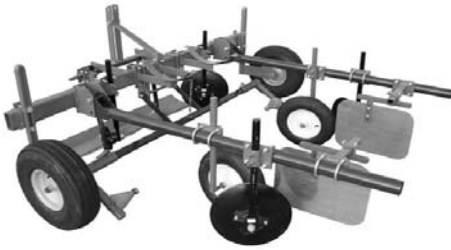
BAGS

	MIL.	PRICE PER THOUSAND			Weight
		1,000	5,000	25,000	1,000/case
T-SHIRT BAGS					
MED.....(11.5"x6.5"x21.5") THANK YOU	(.51)	\$28.65	\$26.60	\$25.55	16#
MED.....(12"x7"x21").....Biodegradeable...	(.51)	\$31.05	\$28.85	\$27.75	16#
Large..... (12"x7"x22").White w/ THANK YOU	(.55)	\$34.50	\$32.05	\$30.80	17#
Large..... (12"x7"x22").....Biodegradeable...	(.55)	\$37.55	\$34.85	\$33.50	17#
Heavy X-LG (12.5"x7"x23").THANK YOU	(.60)	\$43.25	\$40.15	\$38.60	25#
Heavy X-LG (13"x7.5"x24")..Biodegrade	(.65)	\$49.80	\$46.25	\$44.45	25#

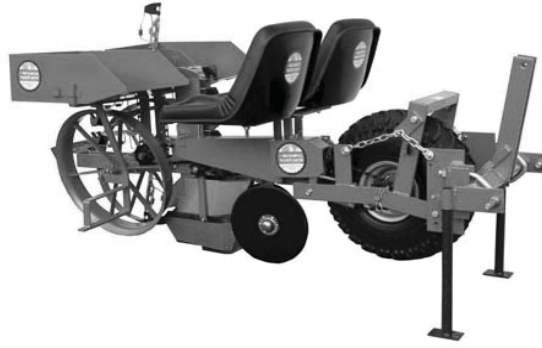
METAL DISPENSER RACK.....holder for Large T-Shirt bags..... \$28.00 each 6#

	50	500	1,000	Weight
SWEET CORN/CABBAGE BAGS, 50# green mesh w/drawstring (24"x36")	\$33.00	\$270.00	\$508.00	10#/50
SQUASH BAGS,.....50# red mesh w/drawstring... (21"x31")	\$22.00	\$180.00	\$320.00	7#/50
PRODUCE / ONION BAGS, 5# red mesh tube w / white header tab (≈7"x22")	\$8.50	\$69.00	\$127.50	1#/50
10# Onion red mesh w /drawstring (≈12"x19")	\$21.50	\$173.00	\$306.00	2#/50
25# red mesh w /drawstring (15x25")	\$27.75	\$222.00	\$396.00	4#/50
30# red mesh w /drawstring (20x25")	\$25.25	\$128.00	\$224.00	5#/50
50# Onion red mesh w /drawstring (18x31")	\$29.00	\$240.00	\$425.00	8#/50
50# red mesh w /drawstring (18x31")	\$32.40	\$262.50	\$465.50	7#/50

BAG ON A ROLL (5 A DAY)		1-3 rolls 4-19 rolls 20 + rolls			
(2 rolls per case)	1000 @ roll, 12" x 17" biodegradable (self opening)	\$28.75	\$26.70	\$25.65	10#/ roll
(4 rolls per case)	750 @ roll, 12" x 17" (self opening)	\$14.50	\$13.50	\$13.00	5#/ roll



**MODEL 90
DELUXE MULCH LAYER**



MODEL 1000 DIRECT DRIVE
Direct Drive provides uniform
planting & spacing.

MECHANICAL TRANSPLANTER



**JP - 1
MECHANICAL
SEEDER**

1000 HIGH PERFORMANCE PLANTING UNIT with the float wheel direct drive system as standard equipment. 15-30% faster planting speeds, uniform and accurate spacings, precise depth control and proper soil firming. Standard features; 12 pocket chain, Even Flow Water Valve, round point shoe, steel packing wheels, 2 fiberglass seats and clamps for 2-1/2" or 4 x 7" toolbar. Adjustable packing wheel axles eliminate the need for strawberry extensions.....

\$2,479.00
\$72.00
\$193.00
\$80.00

- OPTIONS: OPO302 - Poly Covered 395R Shoe (for non sticking).....(Extra).....
- OPO336 - Deluxe Double Disc Opener Shoe.....(Extra).....
- OP0630 - Super Molded Cushion Seat..... (Extra) in lieu of fiberglass

COMPLETE ONE ROW B-3 PLANTER UNITS, with 60 gal. poly tank, 3-point hitch, barrel mounting brackets, and fiberglass seats.

122 B-3..... with 22C planting unit \$2,250.00
1000 B-3.....with 1000 planting unit \$3,067.00
5000WD B-3.with 5000 carousel unit \$5,590.00

912 NEW MULCH PLANTER for close plant spacings of 10,12, 16, 21, 32 & 64". 3 new quick-change pockets, gauge wheel drive system, fiberglass seat, toolbar, A-frame, flat trays or carousels and set ahead toolbar.....

\$5,990.00

92B - MODEL 92 with BED SHAPER KIT ..for 4" high beds 18 or 24" top using 3 or 4' plastic....

\$2,868.00

90 MULCH LAYER DELUXE, Laying up to 6' plastic. Includes: gauge wheels, dirt shields, extra roll carrier, leveling bar, 3 point hitch, etc.....

\$2,030.00

DRIP ATTACHMENT for 90 Deluxe Mulch Layer

\$398.00

WIRES, for row tunnels, 64" spring steel. Springs back to straight year after year.....

\$0.60

ROW MARKERS, for single row

\$81.00

POCKET EXTENSION, for most type of cell plants, per pocket

\$3.25

POTATO ATTACHMENT, conversion unit to plant potatoes

\$179.00

GRIPPER CLIPS, for small plants2 needed each pocket.....

\$0.56

MECHANICAL SEEDERS

JP-1, one row hand seeder, accurate, user friendly, singulates smaller seed, quick change over..... \$425.00
 - Additional seeding wheels... (1 wheel comes with the seeder)..... \$21.00 - \$31.00

ALL THE ABOVE F.O.B. - MICHIGAN ASSEMBLY NOT INCLUDED

FOR PICTURES & MORE INFORMATION GO TO www.jordanseeds.com



Jordan Seeds, Inc.

6400 Upper Afton Rd. • Woodbury, MN 55125
Phone: (651) 738-3422 • Fax: (651) 731-7690

Email: seeds@jordanseeds.com • www.jordanseeds.com

Requested Date:	<input type="checkbox"/> Pick-Up	<input type="checkbox"/> Untreated Only
	<input type="checkbox"/> Ship	<input type="checkbox"/> Untreated Pref.
Order Date:	<input type="checkbox"/> Subs	<input type="checkbox"/> Treated Pref.
	<input type="checkbox"/> No Subs	



< • No check means no preference



Company Name:
Contact Name:
Street Address:
City, State, Zip:
Telephone #:
Email:

Credit Card #

--	--	--	--	--	--	--	--	--	--	--	--	--	--	--	--	--	--	--	--	--	--	--

Expiration Date:

Month	Year

CVV # Last Three Digits

--	--	--

#	QUANTITY	VARIETY	PRICE	AMOUNT
1				
2				
3				
4				
5				
6				
7				
8				
9				
10				
11				
12				
13				
14				
15				
16				

SIGNATURE _____

Signature is required with every order.

I HAVE READ THE TERMS, WARRANTY AND WATERMELON NOTICE, AND ACCEPT THEM.

Be advised when paying by check you expressly authorize Jordan Seeds, Inc., if check is dishonored or returned for any reason, to electronically debit your account for check amount plus \$25.00.

Special Watermelon Seed Notice: We want to advise you that a bacterial disease named 'Watermelon Fruit Blotch', has caused severe damage to some crops. The causal organism and method of infection have not been definitively identified and possible methods of control are not available. Jordan Seeds, Inc. makes no claim or representation that any watermelon seed it supplies is resistant or tolerant to 'Watermelon Fruit Blotch'. Jordan Seeds, Inc., its agents and suppliers will not assume any liability for any watermelon seed sold by Jordan Seeds, Inc. **CUSTOMER SIGNATURE IS REQUIRED TO CONFIRM AGREEMENT TO THESE CONDITIONS PRIOR TO SHIPMENT OF WATERMELON SEED.** Some suppliers require their own form signed.

Warranty Notice: Jordan Seeds, Inc. warrants that seeds sold have been labeled as required under state and federal seed laws, and that they conform to the label description. No liability hereunder shall be asserted unless the buyer or user reports to the warrantor, within a reasonable period after discovery (not to exceed 30 days), any conditions that might lead to a complaint. **OUR LIABILITY ON THIS WARRANTY IS LIMITED TO THE PURCHASE PRICE OF THE SEEDS. THIS WARRANTY IS IN LIEU OF ALL OTHER WARRANTIES, EXPRESS, OR IMPLIED, INCLUDING WARRANTIES OF MERCHANTABILITY AND FITNESS FOR A PARTICULAR PURPOSE. THERE ARE NO WARRANTIES WHICH EXTEND BEYOND THE FACE HEREOF.** These warranties and limitations of liability of Jordan Seeds, Inc. may not be altered or amended. By accepting the seeds, the buyer acknowledges that the above limitations and disclaimers are the conditions of the sale and constitute the entire agreement between the parties. The rules of the American Arbitration Association apply in the event of any dispute with seed. Contact your State Dept. of Ag. for requirements as to filing procedures. A pre-harvest inspection may be required.

SUBTOTAL front	
SUBTOTAL back	
All Shipped Orders add freight UPS pg 32	
Orders Under \$50.00 Add \$3.00	\$ 3 00
TOTAL	

#	QUANTITY	VARIETY	PRICE	AMOUNT
17				
18				
19				
20				
21				
22				
23				
24				
25				
26				
27				
28				
29				
30				
31				
32				
33				
34				
35				
36				
37				
38				
39				
40				
41				
42				
43				
44				
45				
46				
47				
48				
49				
50				
51				
52				
			SUBTOTAL	

Weight	Zone 2	Zone 3	Zone 4	Zone 5	Zone 6	Zone 7
1 lb	9.08	9.51	9.92	10.21	10.44	10.49
2 lbs	9.40	10.00	10.54	10.97	11.25	11.34
3 lbs	9.57	10.17	10.96	11.35	11.89	12.93
4 lbs	9.72	10.63	11.15	13.15	13.60	14.56
5 lbs	9.85	10.90	11.66	13.75	14.35	15.87
6 lbs	9.99	11.14	12.09	14.70	15.98	17.37
7 lbs	10.00	11.25	12.26	15.43	16.42	18.03
8 lbs	10.43	11.30	12.45	15.84	16.86	18.62
9 lbs	10.60	11.63	12.75	17.00	17.14	20.01
10 lbs	11.07	11.82	13.15	17.65	19.81	21.34
11 lbs	11.40	11.94	13.39	18.03	21.59	23.69
12 lbs	11.71	12.15	13.48	19.28	22.89	26.58
13 lbs	11.90	12.76	13.55	19.54	23.94	28.42
14 lbs	12.19	12.85	14.15	20.32	25.28	29.99
15 lbs	12.48	13.20	14.36	20.65	26.61	31.66
16 lbs	12.65	14.07	15.63	21.25	27.60	32.85
17 lbs	13.28	14.20	15.76	21.92	29.13	34.69
18 lbs	13.50	14.55	16.05	23.79	30.42	36.24
19 lbs	13.79	15.00	16.16	24.96	31.80	37.82
20 lbs	14.02	15.45	16.69	26.01	33.25	39.43
21 lbs	14.26	16.23	18.42	27.10	34.71	41.04
22 lbs	14.56	16.55	19.48	27.93	36.24	42.69
23 lbs	14.73	17.50	20.11	30.30	37.67	44.24
24 lbs	15.02	17.92	20.73	31.41	39.17	45.83
25 lbs	15.71	18.36	22.04	32.36	40.58	47.33
26 lbs	17.38	20.04	23.45	33.40	42.12	48.83
27 lbs	18.74	21.45	24.26	34.48	43.61	50.92
28 lbs	19.43	22.12	24.91	35.60	44.98	51.85
29 lbs	19.99	22.95	25.53	36.49	46.12	53.00
30 lbs	20.59	23.26	26.20	37.58	47.70	55.03
31 lbs	21.31	24.36	27.62	38.62	48.87	56.42
32 lbs	21.67	24.92	29.17	39.71	50.36	57.89
33 lbs	21.97	25.37	30.70	40.46	51.61	59.36
34 lbs	22.24	25.96	31.93	41.82	52.98	60.85
35 lbs	22.49	26.49	32.96	42.77	54.24	62.33
36 lbs	23.09	27.95	33.84	43.84	55.48	63.82
37 lbs	23.79	28.56	34.78	44.76	56.67	65.18
38 lbs	24.27	29.07	35.84	45.91	57.86	66.67
39 lbs	24.77	29.64	36.68	46.81	59.65	68.81
40 lbs	25.24	30.06	37.63	47.73	60.78	70.25
41 lbs	25.75	30.76	38.90	48.60	61.79	71.34
42 lbs	26.19	31.50	40.04	49.47	62.74	72.64
43 lbs	26.73	32.93	41.24	50.46	63.88	74.09
44 lbs	27.39	33.90	41.76	51.32	64.97	75.56
45 lbs	28.08	34.77	42.27	52.27	66.03	77.03
46 lbs	28.57	35.60	43.29	53.17	67.05	78.53
47 lbs	28.81	36.63	43.95	54.02	67.98	80.01
48 lbs	29.07	36.84	44.75	54.88	68.93	81.46
49 lbs	29.34	37.19	45.13	55.80	69.81	82.94
50 lbs	29.51	37.49	45.57	55.97	70.11	83.90
51 lbs	29.96	37.86	45.86	56.28	70.71	85.03
52 lbs	30.45	38.04	46.25	57.02	71.39	85.99
53 lbs	30.96	38.19	46.43	57.70	71.96	86.67
54 lbs	31.39	38.53	46.94	58.46	72.45	87.13
55 lbs	31.79	38.76	47.41	59.27	72.83	87.49
56 lbs	31.98	39.15	47.64	60.07	73.05	87.61
57 lbs	32.04	39.49	48.23	60.88	73.82	88.04
58 lbs	32.37	39.82	48.55	61.47	74.59	88.42
59 lbs	32.65	39.91	48.98	62.07	75.25	88.87
60 lbs	32.98	39.93	49.58	62.50	75.92	89.34
61 lbs	33.32	40.51	49.83	63.15	76.56	89.92
62 lbs	33.57	40.79	50.18	63.73	77.08	90.35
63 lbs	34.08	41.34	50.46	64.23	77.57	90.89
64 lbs	34.54	42.14	50.87	64.65	78.07	91.52
65 lbs	35.02	42.66	51.39	65.11	78.75	91.96
66 lbs	35.44	43.40	52.02	65.58	79.51	92.26
67 lbs	36.40	43.98	52.62	66.01	80.13	92.57
68 lbs	36.67	44.64	53.24	66.35	80.45	92.74
69 lbs	37.48	45.30	53.77	66.57	80.72	93.01
70 lbs	37.89	45.70	54.02	66.57	80.86	93.26
75 lbs	42.63	50.57	56.63	71.09	85.38	97.61
80 lbs	50.34	57.70	62.80	75.96	90.27	104.14
100 lbs	83.41	84.19	90.63	98.27	111.89	123.38

ZIP CODE PREFIXES	UPS ZONE	ZIP CODE PREFIXES	UPS ZONE	ZIP CODE PREFIXES	UPS ZONE	ZIP CODE PREFIXES	UPS ZONE
004-005	6	300-312	5	522-539	3	744-745	5
010-011	6	313-316	6	540	2	746	4
012	5	317-319	5	541-545	3	747-769	5
013-051	6	320-329	6	546-548	2	770-772	6
052	5	330-334	7	549	3	773	5
053	6	335-339	6	550-564	2	774-775	6
054	5	342-347	6	565-574	3	776-778	5
055	6	349	7	575-577	4	779-789	6
056	5	350-362	5	580-582	3	792-797	5
057-067	6	363	6	538	4	798-799	6
068-083	5	364-394	5	584	3		
084	6	395	6	585-588	4	800-806	5
085-089	5	396-399	5	590-592	5	807	4
				593	4	808-821	5
100-104	5	400-402	4	594-597	5	822	4
105	6	403-409	5	598-599	6	823-832	5
106	5	410	4			833	6
107-108	6	411-418	5	600-609	4	834	5
109-113	5	420	4	610-614	3	835-838	6
114-115	6	421-422	5	615-634	4	840-846	5
116	5	423-424	4	635	3	847-865	6
117-119	6	425-426	5	636-678	4	870-872	5
120-199	5	427-436	4	679	5	873	6
		437-447	5	680-682	3	874-878	5
200-232	5	448-455	4	683-685	4	879-880	6
233-237	6	456-457	5	686-687	3	881-884	5
238-277	5	458-497	4	688-693	4	885-898	6
278-279	6	498-499	3				
280-283	5			700-703	6	900-960	7
284-285	6	500-503	3	704-725	5	961	6
286-293	5	504-505	2	726-727	4	970-976	7
294	6	506-511	3	728-732	5	977-984	6
295-298	5	512-513	2	733	6	985-986	7
299	6	514-520	3	734-739	5	988-994	6
		521	2	740-743	4		

Find your UPS zone by using the first three digits of your Zip Code. Add total weight of order and packing material. Find this weight in appropriate zone column to show shipping cost. Any fraction of a pound is rounded up to the next pound.

UPS ADDITIONAL CHARGES:

- For each package with declared value, ADD, 0-100 = \$0; \$101-\$400 = \$2.70; \$401-\$500 = \$3.60; \$501-\$600 = \$4.50 add \$0.90 for each additional \$100 or fraction of.
- \$12.90 for C.O.D. - UPS no longer accepts cash.
- \$10.85 charge for packages not in cardboard, or packages over 48" long or 30" wide.
- \$13.40 address correction.
- UPS uses dimensional weight on lighter packages
- Chart is close estimate but may not be exact charge
- Additional charges may apply

UPS Next Day Air, 2nd Day Air & 3rd Day Select is available. **We will ship best way - UPS, Spee-Dee, Mail or Truck.**

JORDAN SEEDS, Inc.

6400 Upper Afton Road

Woodbury, MN 55125

Presort Standard
U.S. Postage
PAID
Twin Cities, MN
Permit #8314

VEGETABLES - USEFUL PLANTING INFORMATION

VEGETABLE	Planting Rate Seed Needed		Approx. No. of Seeds Per Oz.	Planting Distance		Depth to Plant Seed in In.	Days to Germ. Approx.	Average Time to Mature Crop in Days
	100' Row	Acre		Space Plants Apart in rows	Space Rows Apart			
	per	per						
Asparagus	1 oz.	4-5 lbs.	800	18-36"	2-3'	½	15	3-4 yrs.
Beans, Pole	½-1 oz.	30-40 lbs.	60-100	3-8"	36-48"	1-1½	6	60-90
Beans, Snap	1-2 lbs.	60-100 lbs.	100	1-4"	18-40"	1-1½	6	47-74
Beans, Lima	1-2 lbs.	30-50 lbs.	25-60	6-8"	18-30"	1-1½	7	65-76
Beets, Monogerm	1-1½ oz.	5-10 lbs.	800-1000	1-2"	18-24"	1/2	8	55-75
Beets, Multi-germ	2 oz.	8-24 lbs.	1,500	1-4"	18-24"	1/2	9	58-80
Broccoli	1/2 oz.	1/4 lb.	9,000	18-24"	2-3'	1/4	10	67-85
Brussels Sprouts	1/2 oz.	1/4 lb.	8,000	18-24"	24-30"	1/4	10	85-90
Cabbage*	1/2 oz.	1/4 lb.	8,500	8-30"	2-3'	1/4	10	62-105
Cabbage, Chinese	1/2 oz.	3-4 lbs.	17,000	12-18"	2-3'	1/4	9	75
Carrot	1/2 oz.	2-5 lbs.	25,000	1-3"	18-24"	1/2	8	56-80
Cauliflower*	1/4 oz.	1/4 lb.	10,000	18-24"	2-3'	1/4	10	52-70
Chicory	1/4 oz.	1/4 lb.	17,000	10"	24"	1/4	12	65-140
Collards	1/2 oz.	3-4 lbs.	8,000	4-8"	18-24"	1/4	10	75-83
Celeriac	1/4 oz.	1/4 lb.	60,000	4"	2"	1/8	21	110
Celery	1/4 oz.	1/4 lb.	60,000	6"	2-3'	1/8	21	82-140
Cucumber	1 oz.	3 lbs.	1,000	1-3"	3-6'	1	7	51-78
Egg Plant*	1/4 oz.	1/4 lb.	6,000	18-24"	2-3'	1/2	10	80
Endive	1 oz.	4 lbs.	25,000	8-12"	18-24"	1/2	10	85-95
Kale	1/2 oz.	4 lbs.	7,500	12-24"	18-24"	1/2	10	55
Kohlrabi	1/2 oz.	4 lbs.	8,000	6-8"	18-24"	1/2	12	55-60
Lettuce*	1/4 oz.	3-4 lbs.	25,000	6-12"	18-24"	1/8	7	42-86
Muskmelon	1 oz.	3 lbs.	1,200	3-4"	6-8'	1	7	65-100
Mustard	1 oz.	5 lbs.	15,000	4-6"	6-8'	1/4	9	35-40
Okra	2 oz.	8 lbs.	500	18-24"	2-3'	1	10	50-60
Onions, Green	1 oz.	3-4 lbs.	8,000	2-3"	15-30"	1/2	10	60-90
Onions, Dry	1 oz.	3-4 lbs.	8,000	2-3"	15-30"	1/2	10	92-185
Parsley*	3/4 oz.	4 lbs.	15,000	4-8"	12-18"	1/4	21	70-90
Parsnip	1 oz.	4 lbs.	10,000	3-6"	18-24"	3/4	18	95-100
Peas (Rows)	2 lbs.	90-150 lbs.	90-150	2-3"	2-3'	1½-2	8	55-74
Peas (Broadcast)	· ·	200-250 lbs.	90-150	· ·	· ·	1½-2	8	55-74
Pepper*	1/8 oz.	6 oz.	4,000	15-20"	18-30"	1/4	10	65-82
Pumpkin	1 oz.	3 lbs.	200	15-20"	18-30"	1/4	10	90-120
Radish	1 oz.	10-12 lbs.	2,500	½-1"	12-18"	1/2	6	21-30
Rhubarb	1 oz.	3 lbs.	1,700	3-6"	3-4'	1-1½	10	1 year
Rutabaga	1/2 oz.	2-4 lbs.	10,000	6-8"	18-24"	1/2	9	90-92
Spinach	1 oz.	10-15 lbs.	2,500	3-4"	12-18"	½-¾	8	38-70
Squash, Summer	2 oz.	4-6 lbs.	300	3-4'	3-4'	1½	7	41-62
Squash, Winter	1 oz.	3-4 lbs.	100	4-6"	6-8'	1½	9	75-115
Sweet Corn	4 oz.	5-10 lbs.	100-200	12-15"	30-48"	1-2	7	64-110
Tomato*	1/4 oz.	1/4 lb.	11,000	3-4"	3-4'	1/4	8	60-90
Turnip	3/4 oz.	2 lbs.	10,000	3-4"	15-24"	¼-½	7	42-70
Watermelon	1 oz.	2-4 lbs.	200-300	6-8'	8'	1-2	8	68-95

The kinds marked with asterisks are usually indoors in early spring and the seeding rate in Columns 1 and 2 is for that method.

* Transplanted.

**Seeding rates and spacings recommended above are, for the most part, figured on the basis of harvest by hand. High density planting rates and precision seed placement becomes necessary on most mechanically harvested vegetable crops. The effect of arrangement and plant density in relation to fruit size, quality and total yield will vary depending on local environmental conditions during the planting, growing and harvest seasons. Plant density must depend greatly on available planting and harvesting equipment. Seeding rates should depend in part on the total seed count (per oz. or lb.) of the seed lot being used.